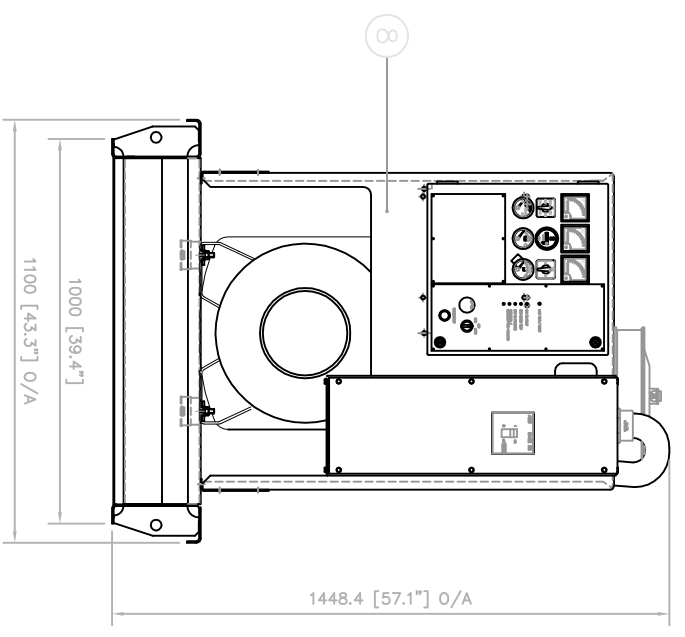
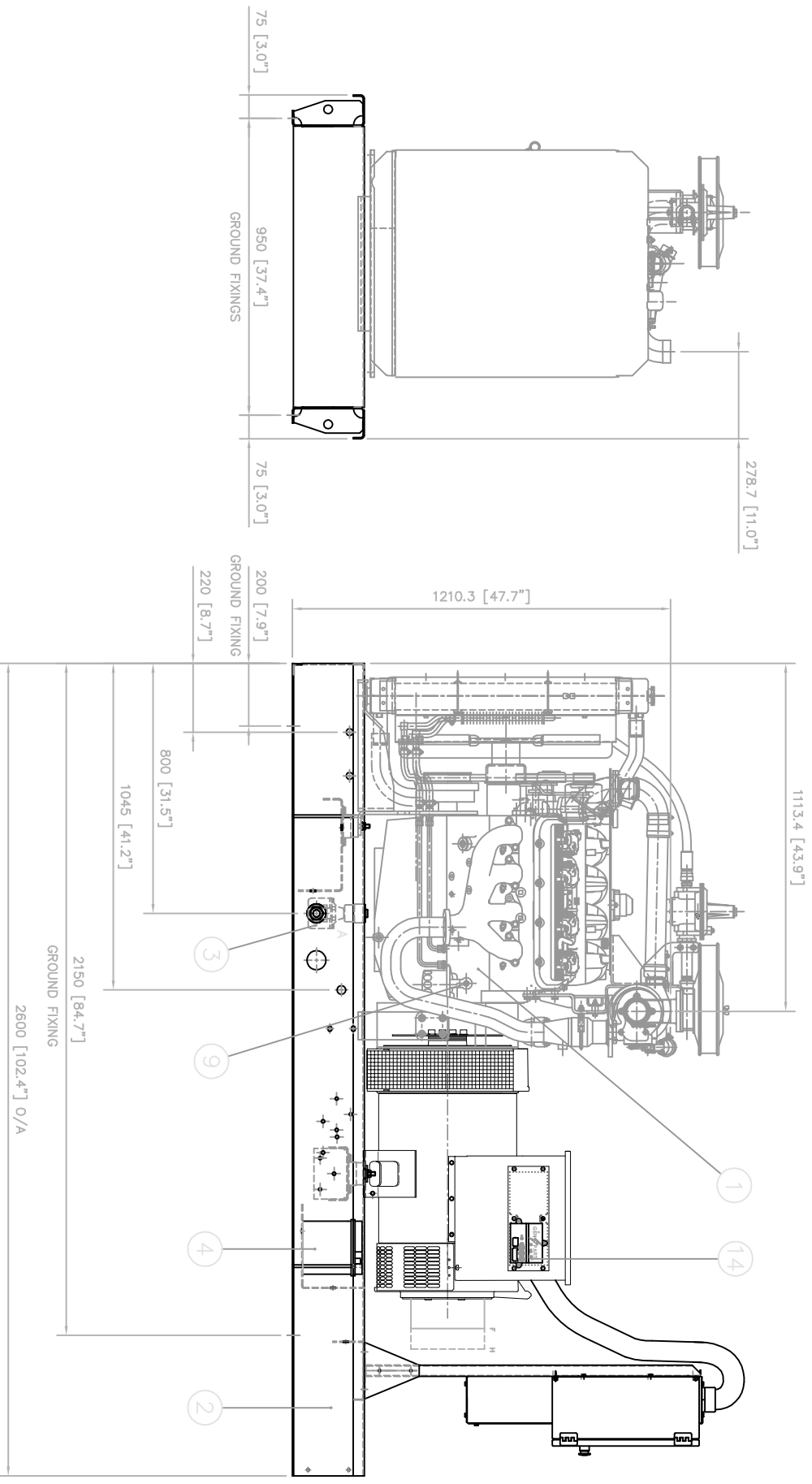


GENSET	WEIGHT						CENTER OF GRAVITY	
	DRY		WITH LUBE OIL		WITH OIL & WATER		DIM. X	DIM. Y
	KGS	LBS	KGS	LBS	KGS	LBS		
GM8100T/LL3014F	TBA	TBA	TBA	TBA	1373	3027	TBA	TBA
GM8100T/LL3014H	TBA	TBA	TBA	TBA	1400	3087	TBA	TBA

FUEL TYPE	BULKHEAD FITTING
NATURAL GAS	A - 1 1/4" NPT FEMALE

ITEM	QTY.	DESCRIPTION	DWG/PART NO.
1	1	ENGINE / ALTERNATOR COMBINATIONS	MGS4161
2	1	OPEN BASEFRAME GROUP	MGS5563
3	1	SINGLE FUEL GAS GROUP (NATURAL GAS)	MGS5553
4	1	BATTERY GROUP	MGS4033
5	1	MANIFOLD HEAT SHIELD GUARD GROUP	MGS5554
6	1	STARTER MOTOR HEAT SHIELD GUARD GROUP	MGS3880
7	1	COUPLING GROUP	MGS3915
8	1	PANEL STAND GROUP	MGS3762
9	1	OIL PRESSURE SENSOR GROUP	MGS5565
10	1	HIGH WATER TEMPERATURE SENSOR GROUP	MGS5566
11	1	MAGNETIC PICK-UP SENSOR GROUP	MGS3928
12	1	LVI - LUBE OIL DRAIN TO BASEFRAME	MGS3856
13	1	WVI - COOLANT DRAIN TO BASEFRAME	MGS3930
14	1	EIM UPFIT GROUP	MGS4110
15	1	DECALS - UNIVERSAL LABELS (OPEN)	MGS2582
16	1	ONA BRAND LABELS GROUP	MGS4974
17	1	LOOM PROTECTION & EXHAUST INSULATION GROUP	MGS5675

* - ITEMS NOT SHOWN



ITEM	DESCRIPTION	QTY.	ISSUE
C	ITEM 17 ADDED AND WGT WEIGHTS ADDED	21436	I.B. 05/08/03
B	ITEM 12 LUBE OIL DRAIN GRP DWG WAS MGS3931 NOW MGS3856	21436	I.B. 29/04/03
A	FIRST ISSUE	21436	I.B. 09/04/03
ISSUE	DESCRIPTION	EGR/DCR	BY DATE

DRN. BY	LIBROWNI	TITLE
DATE	09/04/03	G.A. OF OPEN SET GM8100 TURBO GAS ENGINE

APPRD. BY	SHEET	ORIGINAL	DRAWING NO.	ISSUE
DATE	09/09/03	A1	MCA6327	C

DO NOT SCALE	ALL DIMENSIONS IN MILLIMETERS UNLESS OTHERWISE STATED
TOLERANCES EXCEPT WHERE OTHERWISE STATED: 0 - 500mm ± 0.1mm 500 - 2000mm ± 0.2mm OVER 2000mm ± 0.3mm STRUCTURAL ± 3mm ANGULAR ± 1°	THIS DRAWING IS COPYRIGHTED AND MAY BE COPIED ONLY FOR THE PURPOSES OF MAINTAINING THE PURCHASED EQUIPMENT BY THE PURCHASER ALL DIMENSIONS IN MILLIMETERS UNLESS OTHERWISE STATED