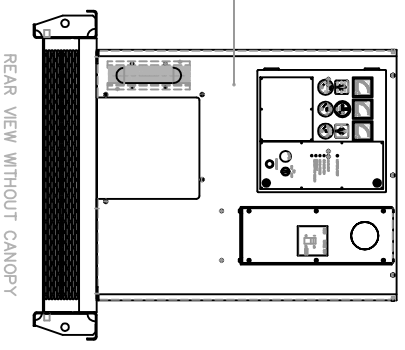
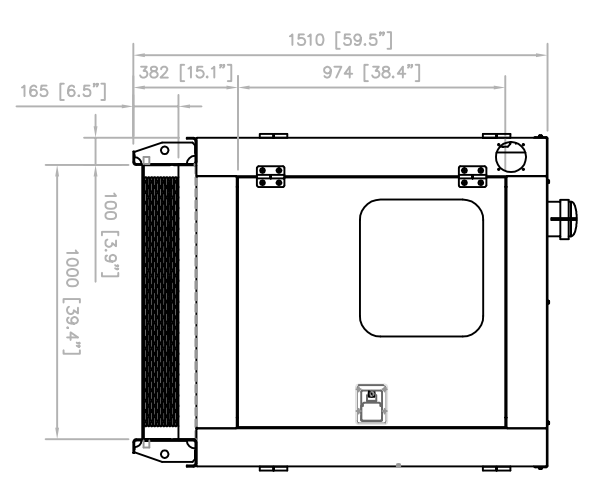
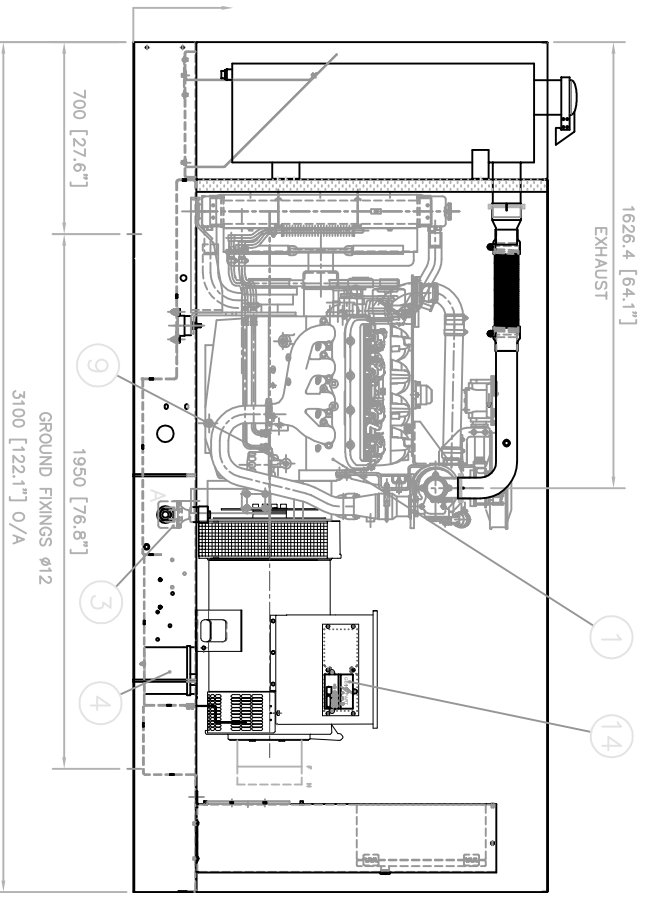
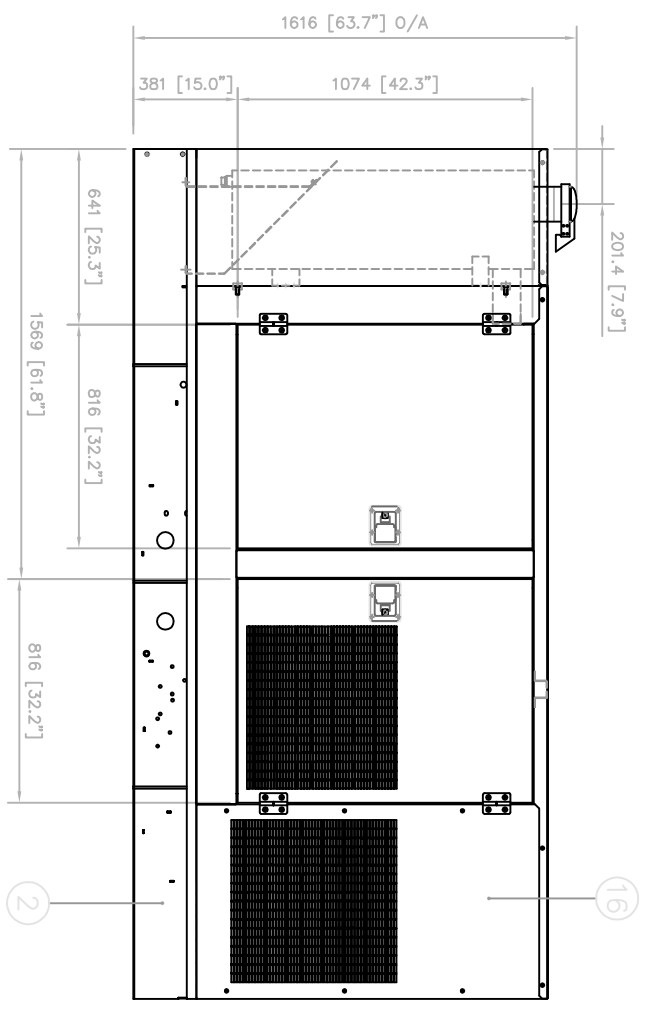
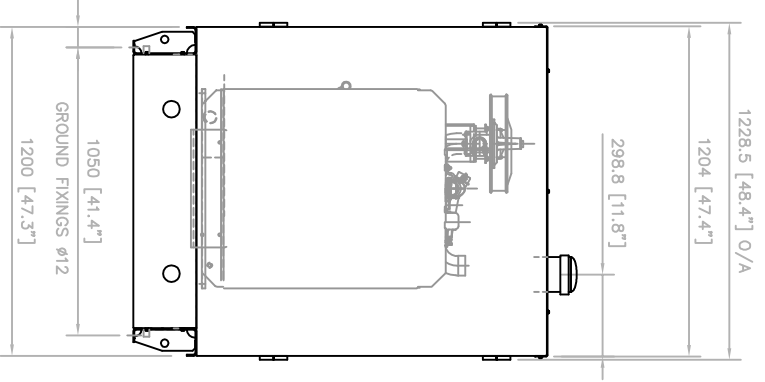
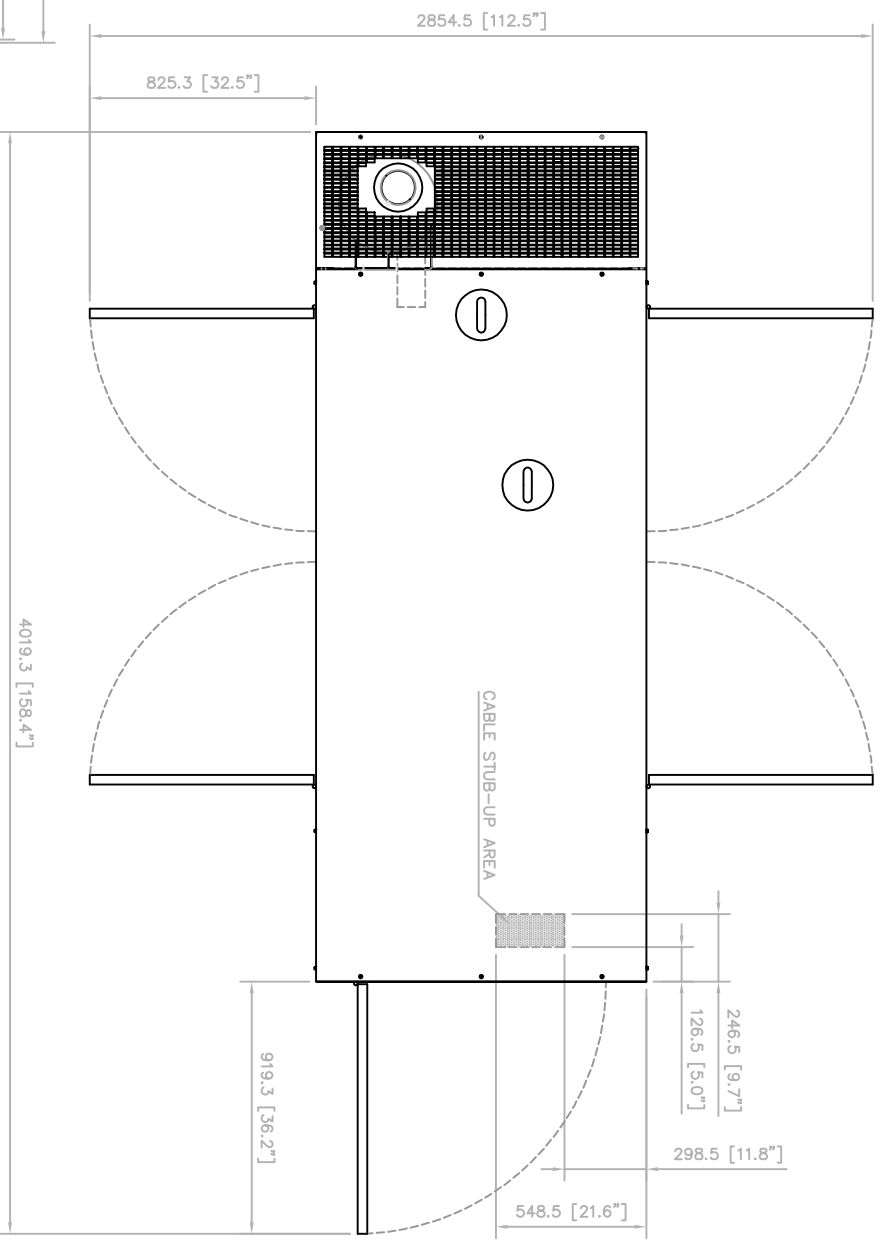


GENSET	WEIGHT				CENTER OF GRAVITY		
	DRY	WITH LUBE OIL	WITH OIL & WATER	KG	LBS	DIM. X	DIM. Y
GM8100T/LL3014F	TBA	TBA	TBA	1900	4189	TBA	TBA
GM8100T/LL3014H	TBA	TBA	TBA	1927	4249	TBA	TBA

FUEL TYPE	BULKHEAD FITTING
NATURAL GAS	A - 1 1/4" NPT FEMALE

ITEM	QTY	DESCRIPTION	PART NUMBER
1	1	ENGINE / ALTERNATOR COMBINATIONS	MGSA4161
2	1	SA BASEFRAME GROUP	MGSS561
3	1	SINGLE FUEL GAS GROUP (NATURAL GAS)	MGSS553
4	1	BATTERY GROUP	MGSA4033
5	1	MANIFOLD HEAT SHIELD GUARD GROUP	MGSS554
6	1	STARTER MOTOR HEAT SHIELD GUARD GROUP	MGSS3890
7	1	COUPLING GROUP	MGSS3915
8	1	PANEL STAND GROUP	MGSS217
9	1	OIL PRESSURE SENSOR GROUP	MGSS565
10	1	HIGH WATER TEMPERATURE SENSOR GROUP	MGSS566
11	1	MAGNETIC PICK-UP SENSOR GROUP	MGSS3928
12	1	LVI - LUBE OIL DRAIN TO BASEFRAME	MGSS3856
13	1	WVI - COOLANT DRAIN TO BASEFRAME	MGSS3930
14	1	EIM UPFIT GROUP	MGSA4110
15	1	DECALS - UNIVERSAL LABELS (CANOPIED)	MGSS2583
16	1	SOUND ATTENUATED CANOPY GROUP	MGSS214
17	1	ONA BRAND LABELS GROUP	MGSA4974
18	1	LOOM PROTECTION & EXHAUST INSULATION GROUP	MGSS5675

* - ITEMS NOT SHOWN



REAR VIEW WITHOUT CANOPY

ITEM	DESCRIPTION	ISSUE
C	ITEM 18 ADDED AND MET WEIGHTS ADDED	21436
B	ITEM 12 LUBE OIL DRAIN GP DWG WAS MGS3931 NOW MGS3856	21436
A	FIRST ISSUE	21436

ISSUE	DESCRIPTION	ECR/DCR	BY	DATE
1				
2				
3				
4				
5				
6				
7				
8				

DRN. BY	LIBRARIAN	TITLE
		G.A. OF GM8100 TURBO (125KW) WITH SOUND ATTENUATED ENCLOSURE

DATE	APPR. BY	SHEET	ORIGINAL	DRAWING NO.	ISSUE
08/04/03		A1	1:14	MGA6326	C

DATE	APPR. BY	PROJECTION
06/08/03		3RD ANGLE PROJECTION

DO NOT SCALE

ALL DIMENSIONS IN MILLIMETERS UNLESS OTHERWISE STATED

THIS DRAWING IS COPYRIGHTED AND MAY BE COPIED ONLY FOR THE PURPOSES OF MAINTAINING THE PURCHASED EQUIPMENT BY THE PURCHASER

TOLERANCES EXCEPT WHERE OTHERWISE STATED:
 0 - 500mm ± 0.1mm
 OVER 500mm ± 0.2mm
 OVER 2000mm ± 0.5mm
 ANGULAR ± 1°