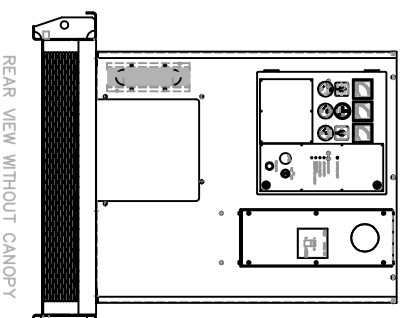
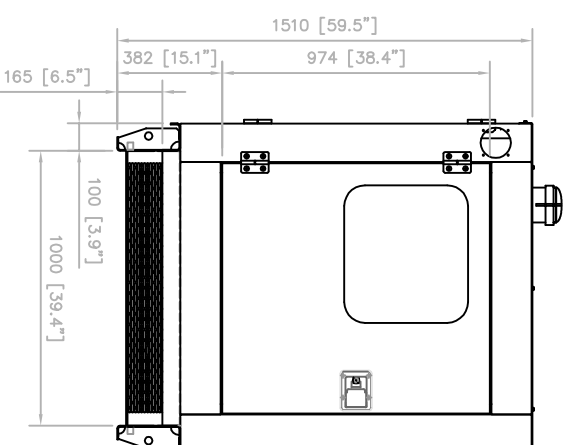
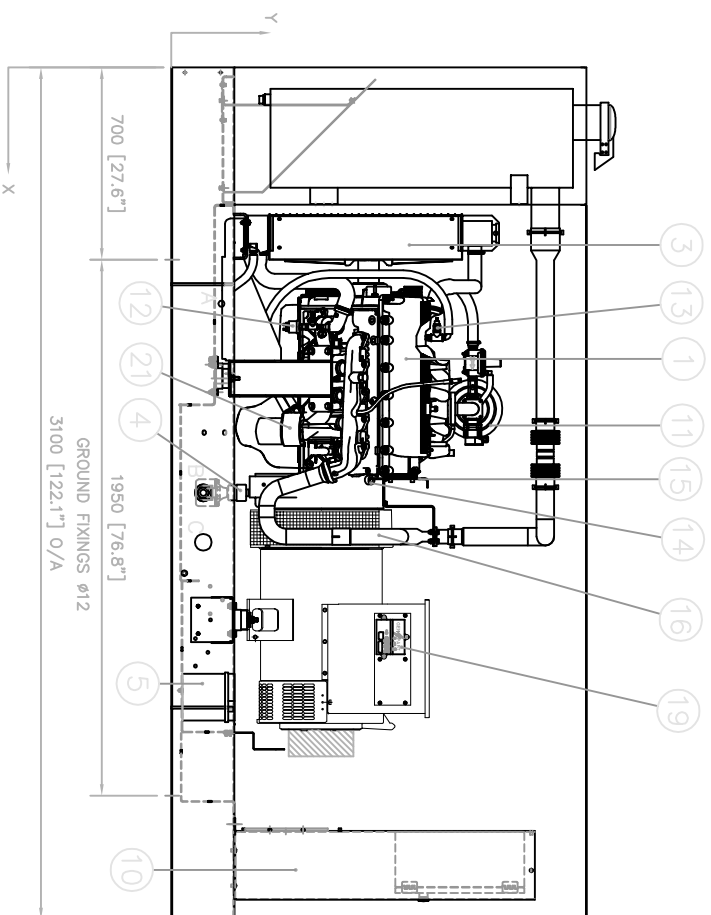
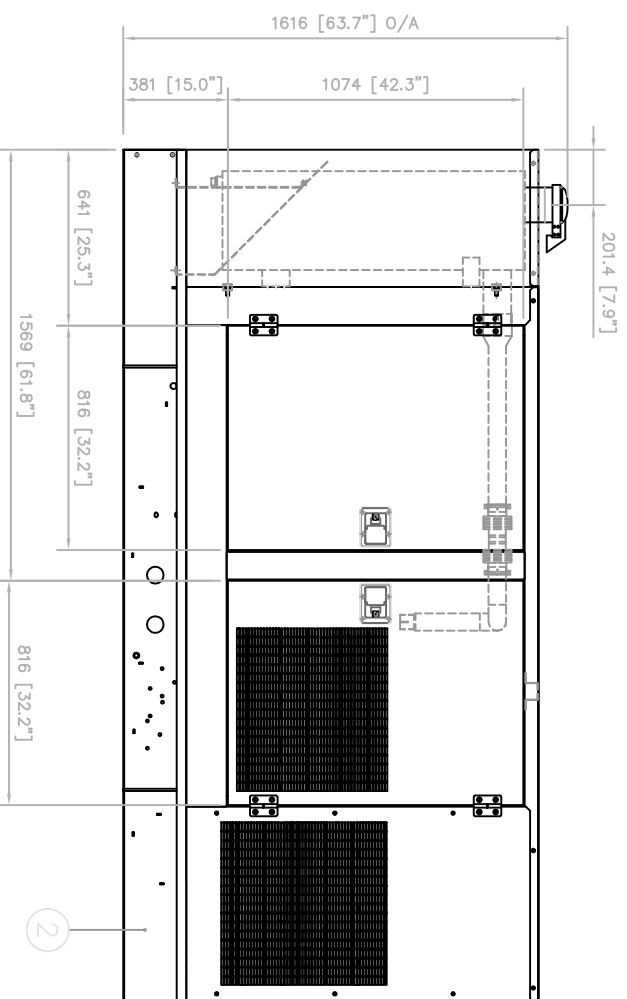
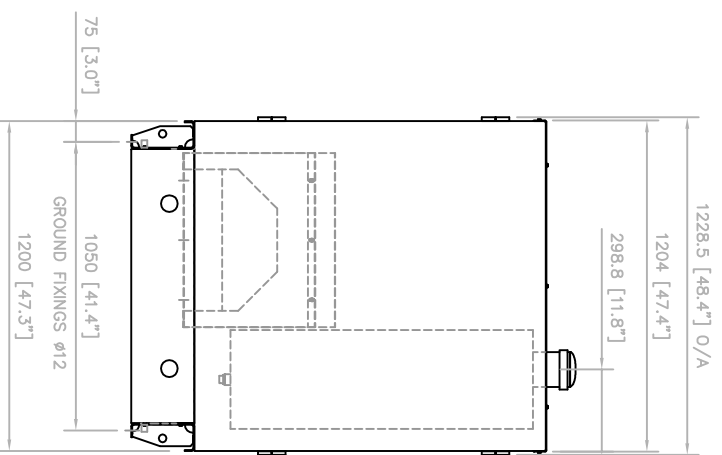
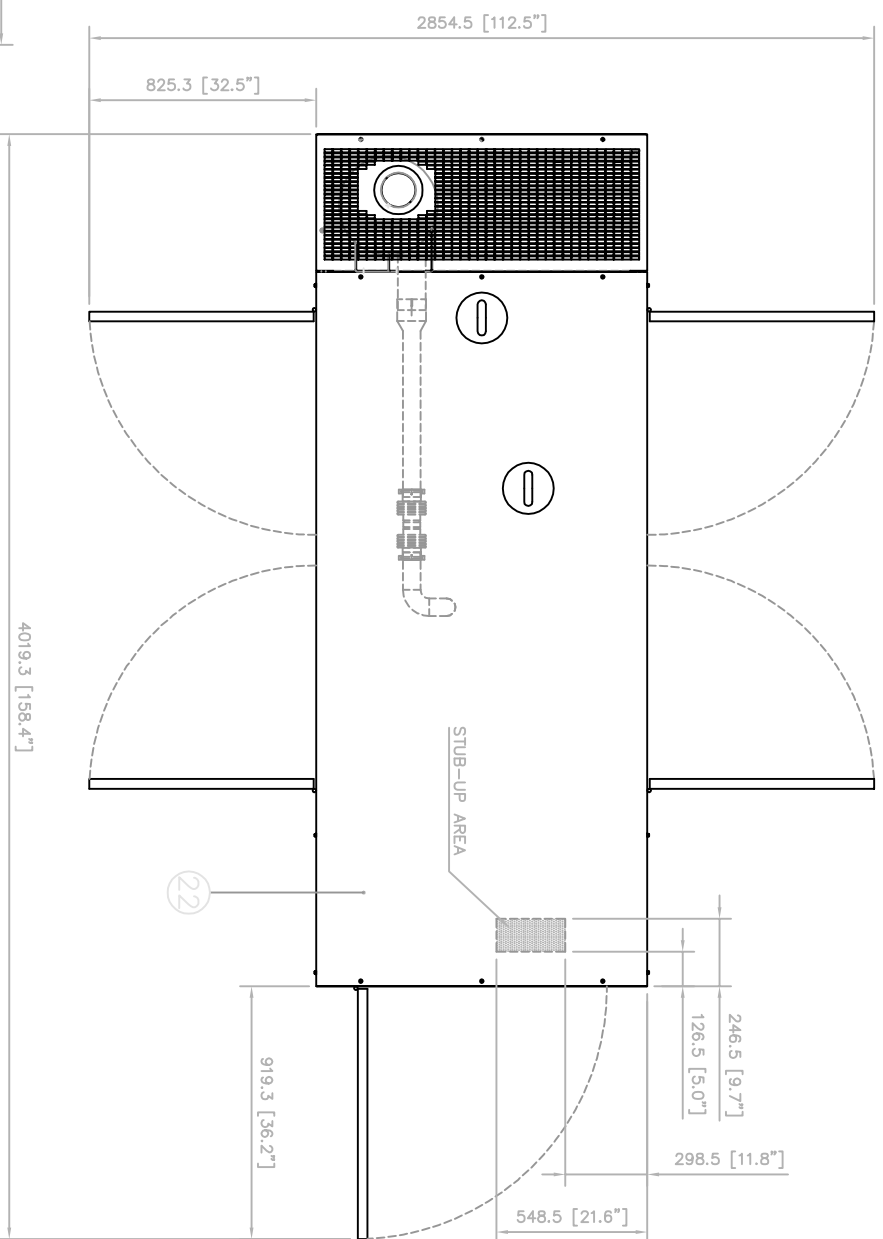


GENSET	WEIGHT						CENTER OF GRAVITY	
	DRY		WITH LUBE OIL		WITH OIL & WATER		DIM. X	DIM. Y
	LBS	KGS	LBS	KGS	LBS	KGS		
WSG1068/LL2014H	TBA	TBA	TBA	TBA	TBA	TBA	TBA	TBA
WSG1068/LL2014J	TBA	TBA	TBA	TBA	TBA	TBA	TBA	TBA
WSG1068/LL3014B	TBA	TBA	TBA	TBA	TBA	TBA	TBA	TBA
WSG1068/LL3014F	TBA	TBA	TBA	TBA	TBA	TBA	TBA	TBA

FUEL TYPE	BULKHEAD FITTING
LPG LIQUID	A - 3/4" NPT FEMALE
NATURAL GAS	B - 1 1/4" NPT FEMALE
LPG VAPOR	C - 1 1/4" NPT FEMALE

ITEM	QTY	DESCRIPTION	PART NUMBER
1	1	ENGINE / ALTERNATOR COMBINATIONS	MGS4161
2	1	SA BASEFRAME GROUP	MGS5209
3	1	RADIATOR COOLING SYSTEM GROUP	MGS3747
4	1	SINGLE FUEL GAS GROUP (NATURAL GAS)	MGS3903
5	1	BATTERY GROUP	MGS4033
6	1	FAN & PULLEY GUARD GROUP	MGS3759
7	1	MANIFOLD HEAT SHIELD GUARD GROUP	MGS3912
8	1	STARTER MOTOR HEAT SHIELD GUARD GROUP	MGS3907
9	1	COUPLING GROUP	MGS3915
10	1	PANEL STAND GROUP	MGS5217
11	1	AIR FILTER GROUP	MGS4079
12	1	OIL PRESSURE SENSOR GROUP	MGS3927
13	1	HIGH WATER TEMPERATURE SENSOR GROUP	MGS4064
14	1	MAGNETIC PICK-UP SENSOR GROUP	MGS3928
15	1	IGNITION CONTROL MODULE GROUP	MGS4035
16	1	EXHAUST MANIFOLD PIPEWORK GROUP	MGS3860
17	1	LVI - LUBE OIL DRAIN TO BASEFRAME	MGS3931
18	1	WVI - COOLANT DRAIN TO BASEFRAME	MGS3930
19	1	EIM UPFIT GROUP	MGS4110
20	1	DECALS - UNIVERSAL LABELS (CANOPIED)	MGS2583
21	1	OIL COOLER GROUP	MGS4047
22	1	SOUND ATTENUATED CANOPY GROUP	MGS5214

* - ITEMS NOT SHOWN



ISSUE	DESCRIPTION	ECR/DOCR	BY	DATE
1	FIRST ISSUE	-	LB	17/09/02

DRN. BY	LIBROWN	TITLE
DATE	17/09/02	G.A. OF FORD WSG1068 NATURALLY ASPIRATED WITH SOUND ATTENUATED ENCLOSURE

APPD. BY	DATE	SHEET	ORIGINAL	SCALE	DRAWING NO.	ISSUE
		A1	1:14	MGA6155	A	

TOLERANCES EXCEPT WHERE OTHERWISE STATED:
 0 - 50mm ± 0.1mm
 50 - 200mm ± 0.2mm
 OVER 200mm ± 0.3mm
 ANGULAR ± 1°

THIS DRAWING IS COPYRIGHTED AND MAY BE COPIED ONLY FOR THE PURPOSES OF MAINTAINING THE PURCHASED EQUIPMENT BY THE PURCHASER. ALL DIMENSIONS IN MILLIMETRES UNLESS OTHERWISE STATED.

DO NOT SCALE

3rd ANGLE PROJECTION