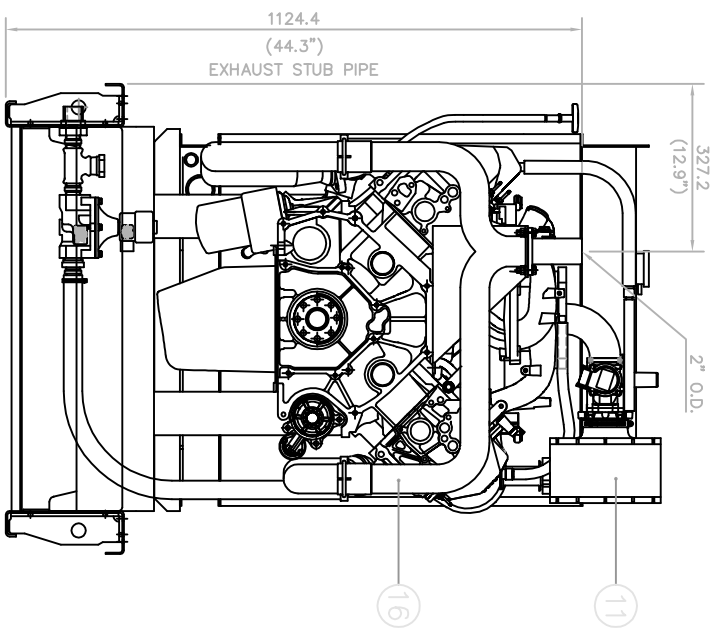


VIEW FROM REAR OF GENSET -
WITHOUT ALTERNATOR AND
CONTROL PANEL/BREAKER

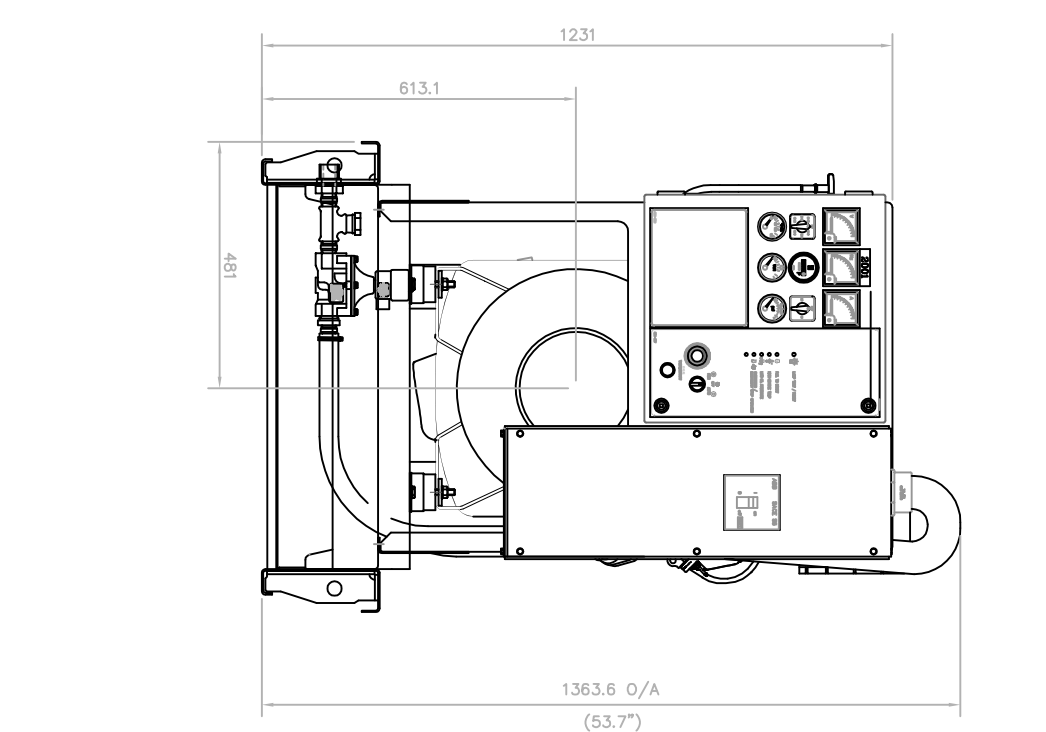
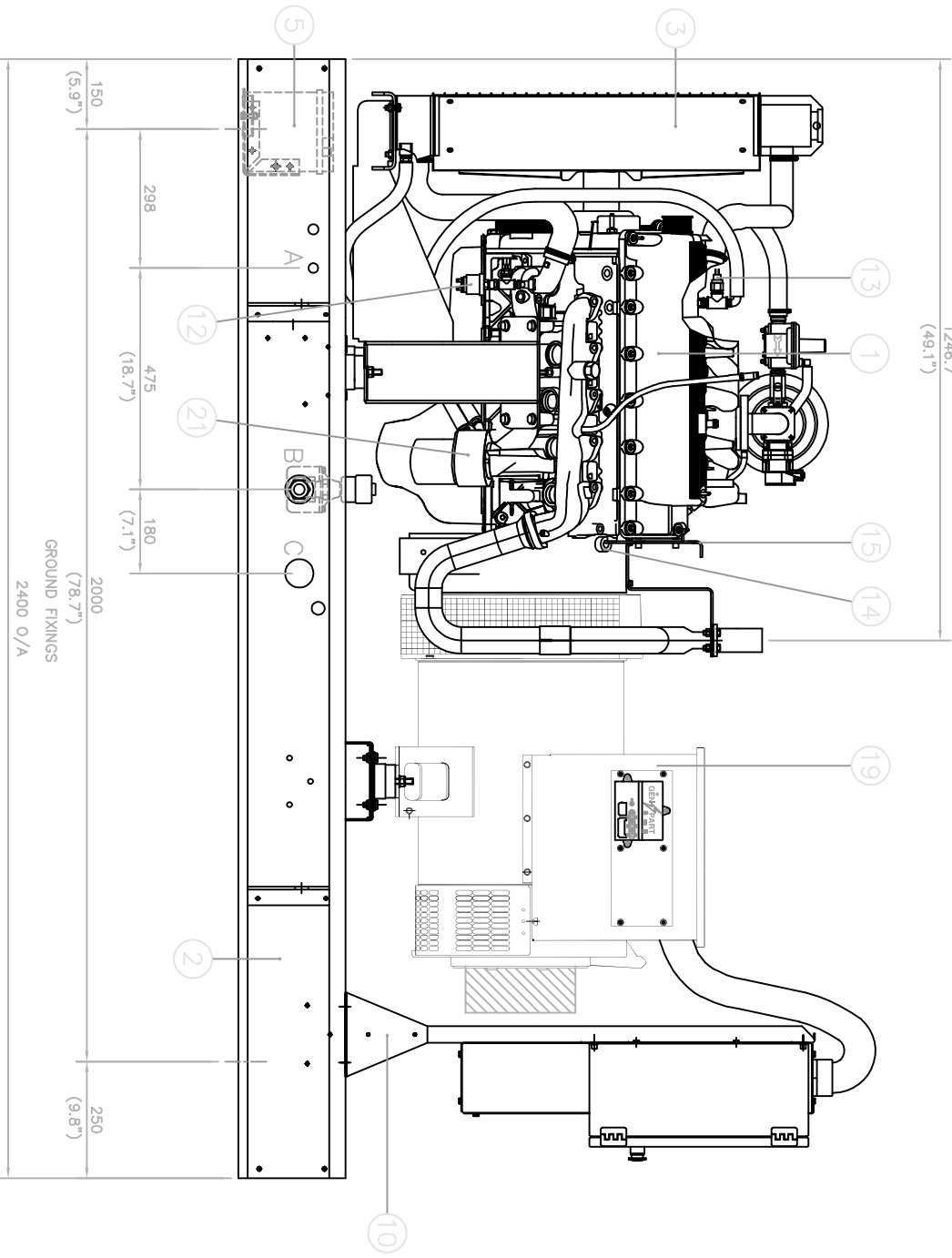
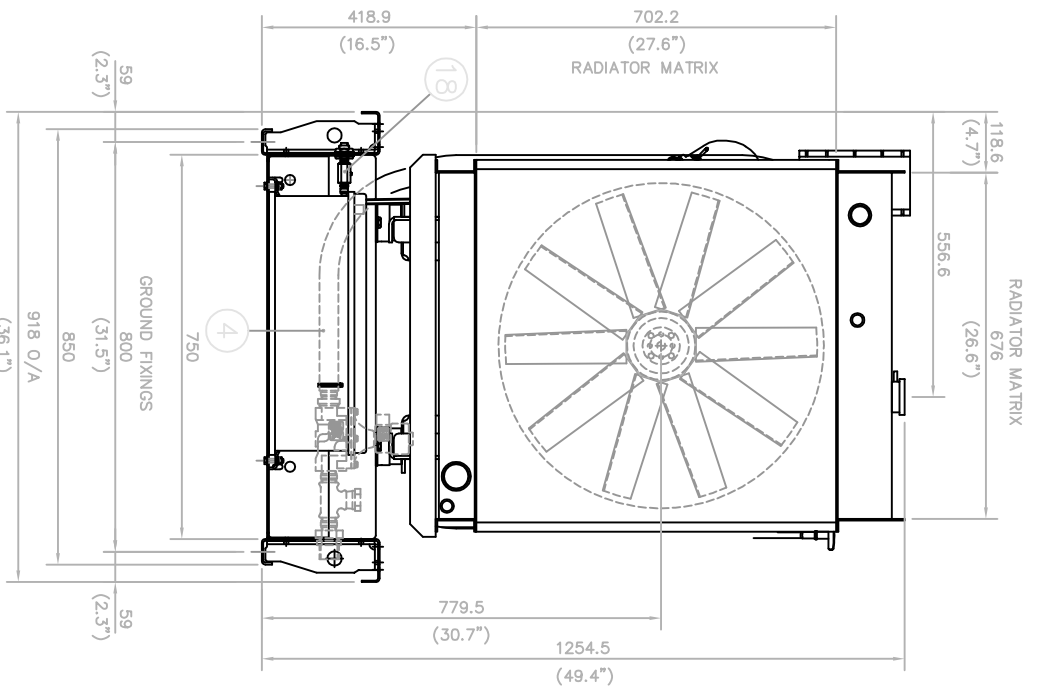


GENSET	WEIGHT				CENTER OF GRAVITY	
	DRY	WITH LUBE OIL	WITH OIL & WATER	DIM. X	DIM. Y	
WSG1068/LL2014H	870	1914	1929	1028 (40.5")	610 (24.0")	
WSG1068/LL2014J	910	2002	2017	1055 (41.5")	610.7 (24.0")	
WSG1068/LL3014B	960	2112	2127	1101 (43.3")	610.1 (24.0")	
WSG1068/LL3014F	1085	2392	2407	1151 (45.3")	610.1 (24.0")	

FUEL TYPE	BULKHEAD FITTING
LPG LIQUID	A - 3/4" NPT FEMALE
NATURAL GAS	B - 1 1/4" NPT FEMALE
LPG VAPOR	C - 1 1/4" NPT FEMALE

ITEM	QTY	DESCRIPTION	DWG/PART NO.
1	1	ENGINE/ALTERNATOR COMBO	MGSA161
2	1	BASEFRAME GROUP	MGSS749
3	1	RADIATOR COOLING SYSTEM GROUP	MGSS747
4	1	SINGLE FUEL SYSTEM GROUP	MGSS903
5	1	BATTERY GROUP	MGSA4033
6	1	FAN & PULLEY GUARD GROUP	MGSS3759
7	1	MANIFOLD HEAT SHIELD GROUP	MGSS3912
8	1	STARTER MOTOR HEAT SHIELD GROUP	MGSS3907
9	1	COUPLING GROUP	MGSS3915
10	1	PANEL STAND GROUP	MGSS3762
11	1	AIR FILTER GROUP	MGSA4079
12	1	OIL PRESSURE SENSOR GROUP	MGSS3927
13	1	WATER TEMPERATURE SENSOR GROUP	MGSA4064
14	1	MAGNETIC PICK-UP SENSOR GROUP	MGSS3928
15	1	IGNITION CONTROL MODULE GROUP	MGSA4035
16	1	EXHAUST MANIFOLD PIPEWORK GROUP	MGSS3860
17	1	LV-LUBE OIL DRAIN TO BASEFRAME GROUP	MGSS3931
18	1	WV-COOLANT DRAIN TO BASEFRAME GROUP	MGSS3930
19	1	EIM UPFIT GROUP	MGSA4110
20	1	DECALS - UNIVERSAL LABELS (OPEN)	MGSS2582
21	1	OIL COOLER GROUP	MGSA4047

* - ITEMS NOT SHOWN



ITEM	DESCRIPTION	QTY	UNIT	DATE
F	ITEM 21 OIL COOLER GROUP ADDED MGS4047	1	LB.	29/08/02
E	REMOVE OIL COOLER PLUMBING GROUP REF. MGS4047	1	LB.	12/02/02
D	EAC GAS BURKHEAD DIMENSIONS MODIFIED	1	LB.	30/08/01
C	GAS TRAIL REPOSITIONED TO BE PIPED FROM THE LHS OF BASEFRAME	1	LB.	15/03/01
B	ALTERNATOR LL3014F SHOWN ALSO WEIGHTS & CGC ADDED	1	LB.	02/03/01
A	FIRST ISSUE	1	LB.	10/11/00

GROUND FIXINGS	GROUND FIXINGS
800	850
918 O/A	2400 O/A

DRN. BY	LIBROWNI	TITLE
DATE	10/11/00	GENERAL ARRANGEMENT FORD WSG1068 NATURALLY ASPIRATED

APPR. BY	DATE	SHEET	ORIGINAL	DRAWING NO.	ISSUE
		A1	1:7.5	MGSA5598	F

TOLERANCES EXCEPT WHERE OTHERWISE STATED
0 - 500mm ± 0.1mm
OVER 500mm ± 0.2mm
STRUCTURAL ± 0.5mm
ANGULAR ± 1°

DO NOT SCALE
THIS DRAWING IS COPYRIGHTED AND MAY BE COPIED ONLY FOR THE PURPOSES OF MAINTAINING THE PURCHASED EQUIPMENT BY THE PURCHASER
ALL DIMENSIONS IN MILLIMETRES UNLESS OTHERWISE STATED



DRN. BY	LIBROWNI	TITLE
DATE	10/11/00	GENERAL ARRANGEMENT FORD WSG1068 NATURALLY ASPIRATED

APPR. BY	DATE	SHEET	ORIGINAL	DRAWING NO.	ISSUE
		A1	1:7.5	MGSA5598	F

TOLERANCES EXCEPT WHERE OTHERWISE STATED
0 - 500mm ± 0.1mm
OVER 500mm ± 0.2mm
STRUCTURAL ± 0.5mm
ANGULAR ± 1°

DO NOT SCALE
THIS DRAWING IS COPYRIGHTED AND MAY BE COPIED ONLY FOR THE PURPOSES OF MAINTAINING THE PURCHASED EQUIPMENT BY THE PURCHASER
ALL DIMENSIONS IN MILLIMETRES UNLESS OTHERWISE STATED

