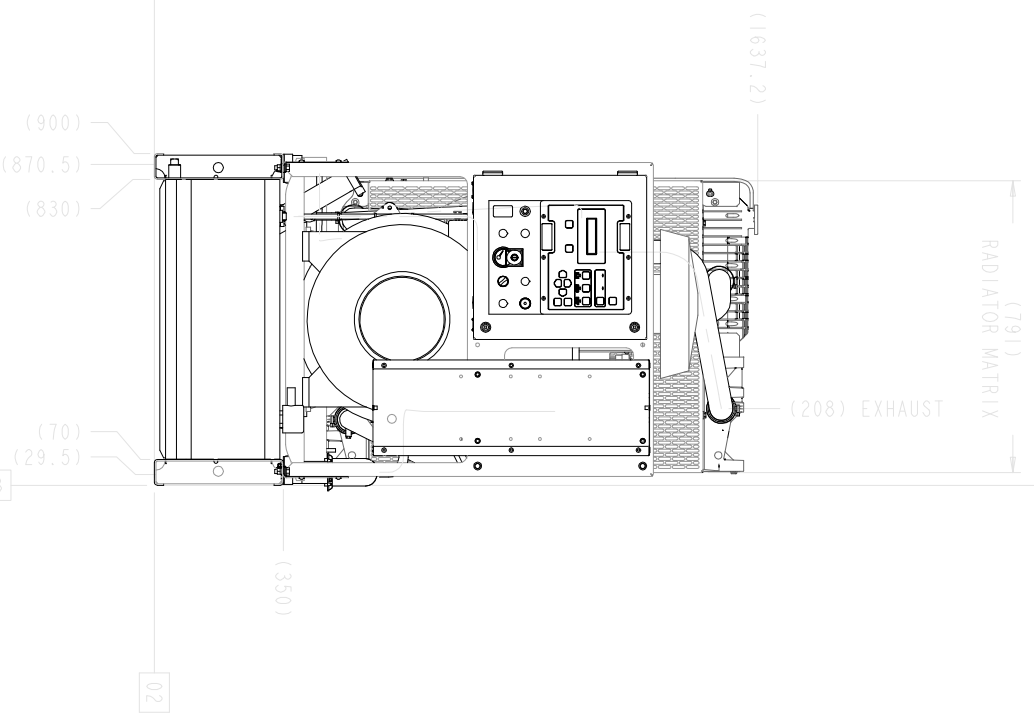
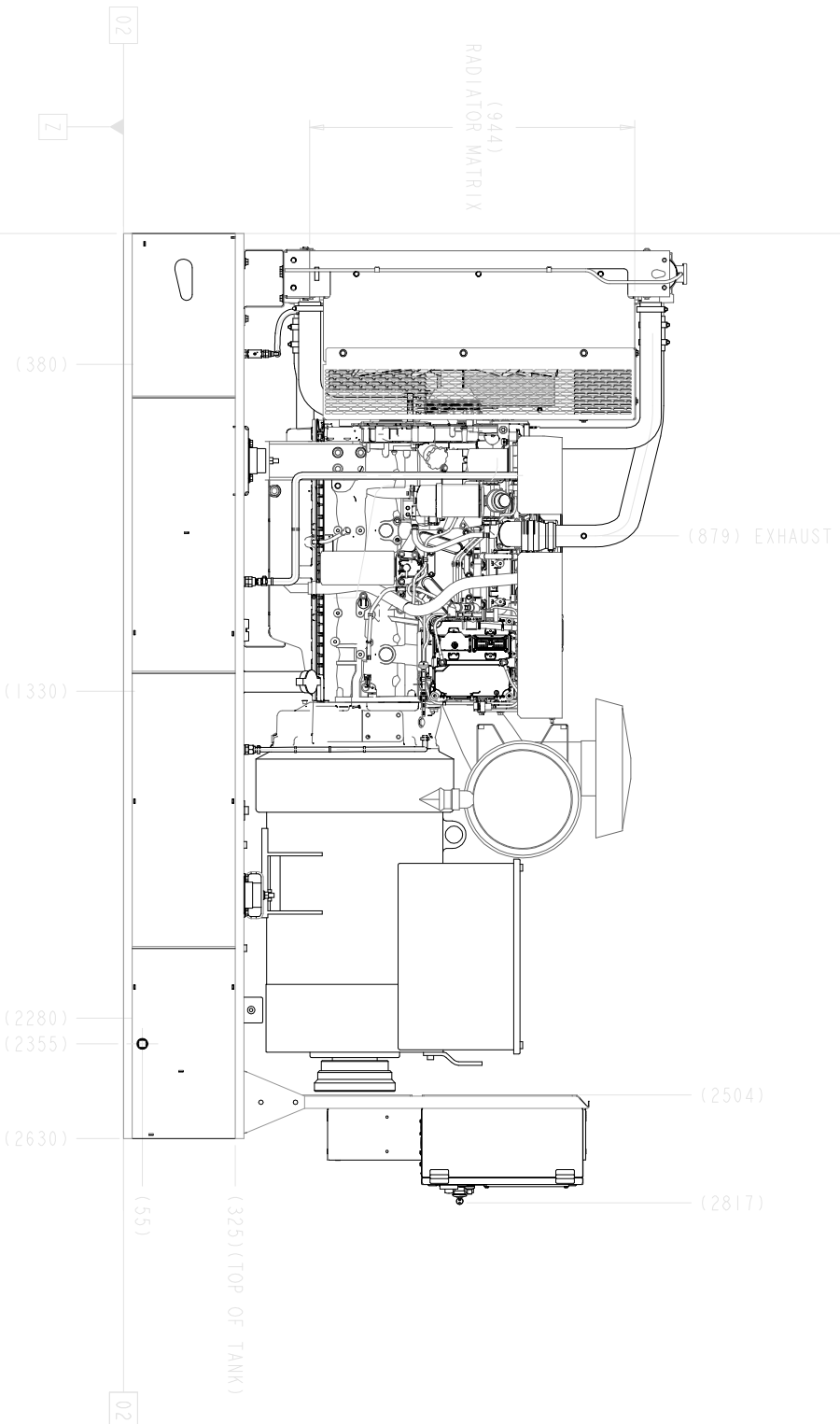
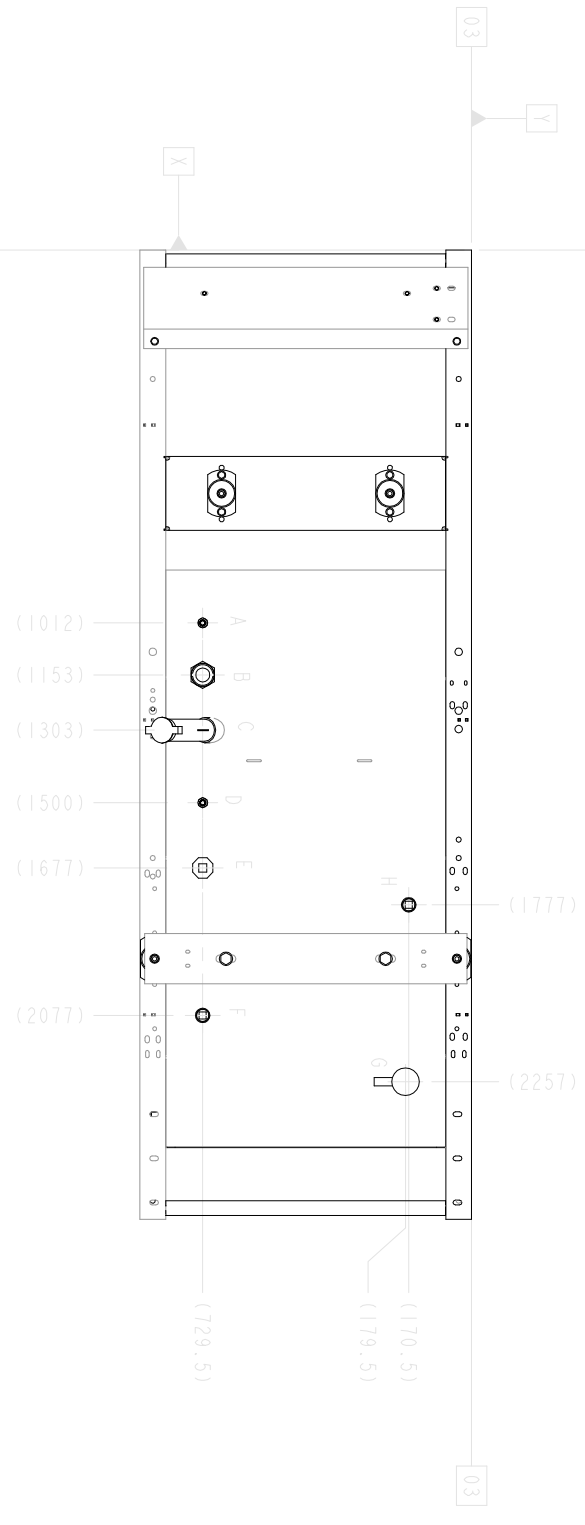


ENGL/ALT OPTION	MASS (Kg)	
	WITH OIL	WITH OIL & WATER
1106C - E66TA64 / LL5014F	1660	1688
BASE	TANK CAPACITY (LITRES)	
	TO FILL	TO USE
292-1535	291	272

SOCKET	DESCRIPTION	DIM X	DIM Y	DIM Z
A	FUEL FILL	1012	729.5	380
B	FUEL LEVEL GAUGE	1153	729.5	364
C	FUEL FILL (2")	1303	729.5	572
D	FUEL RETURN	1500	729.5	380
E	REMOTE FUEL RETURN	1677	729.5	358
F	REMOTE FUEL SUPPLY	2077	729.5	358
G	FUEL TANK VENT	2257	179.5	358
H	PLUG (1")	1777	170.5	358
	APPROX. COG FOR GENSET	1410	450	618



A		FIRST ISSUE		2903	ANCD	08/11/07	DATE	
ISSUE DESCRIPTION		ECR	BT					

TOLERANCES EXCEPT WHERE OTHERWISE STATED		DO NOT SCALE	
0 - 500mm	± 1mm	THIS DRAWING IS COPYRIGHTED AND MAY BE COPIED ONLY FOR THE PURPOSES OF MAINTAINING THE PURCHASED EQUIPMENT BY THE PURCHASER	
500 - 2000mm	± 2mm	ALL DIMENSIONS IN MILLIMETRES UNLESS OTHERWISE STATED	
OVER 2000mm	± 3mm		
STRUCTURAL	± 3mm		
ANGULAR	± 1°		

DRN. BY	SATYAM	TITLE	GENERAL ARRANGEMENT
DATE	01-NOV-07	OPEN SET	
SHEET SIZE	A1	ORIG. SCALE	1:10
DRAWING NO./ISSUE	MGAT394		A

FORM/0704 - ISSUE 2