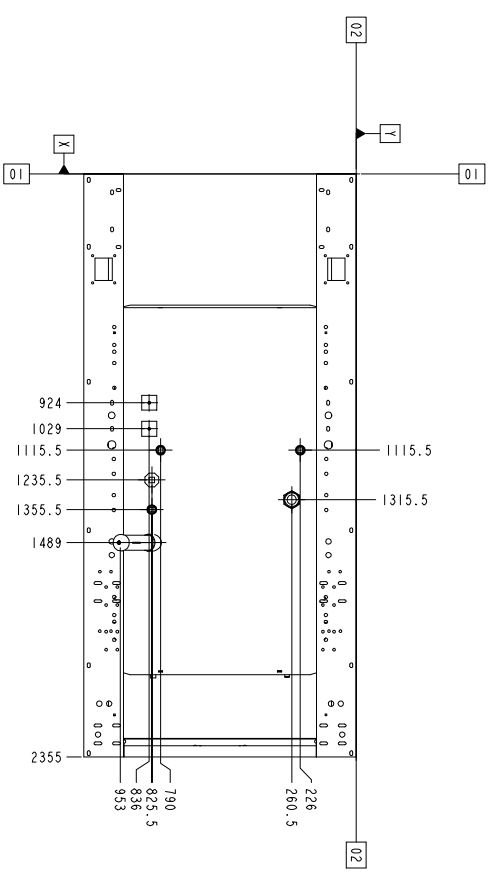
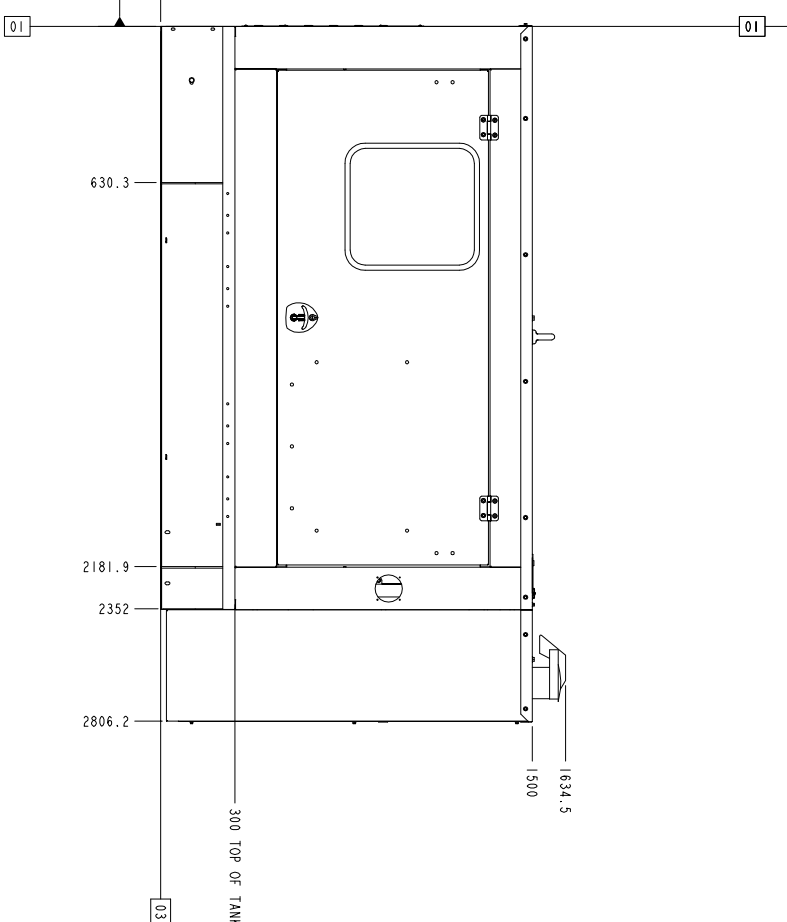
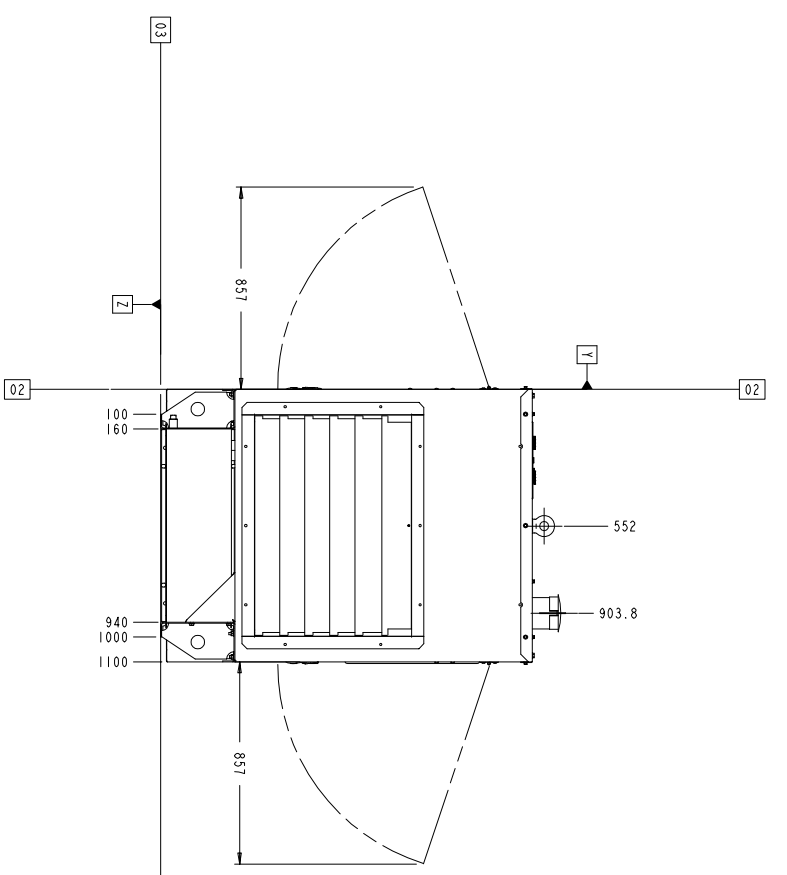
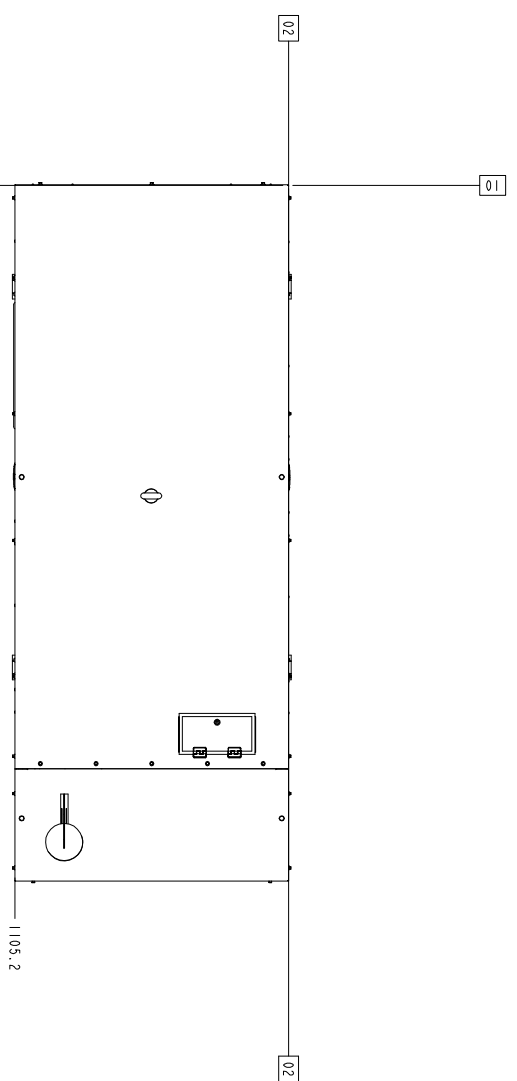
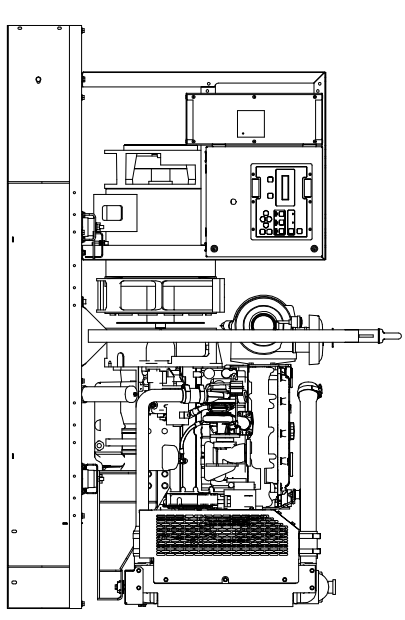


SOCKET	DESCRIPTION	DIM X	DIM Y	DIM Z
A	FUEL FILL	1061.6	1746	855.3
B	FUEL LEVEL GAUGE	1171.6	1746	853.4
C	FUEL FILL (2")	1321.6	1796	853.4
D	FUEL RETURN	1421.6	1930.3	1048.2
E	REMOTE FUEL RETURN	1586.6	1304	849.8
F	REMOTE FUEL SUPPLY	1416.6	1304	831.7
G	FUEL TANK VENT	1096.6	1354	866.6
H	FUEL TANK VENT	971.6	1354	904.1
J	PLUG (1")	539.5	250	864.4

BASE	TANK CAPACITY (LITRES)
265-4852	295
	282



MODEL NUMBER	ENG/ALT COMBINATION	MASS (KG)		CENTRE OF GRAVITY	
		WITH OIL	WITH OIL & WATER	DIM X	DIM Y
P80P2/P88E2/GE/P88-2	1104C-44TAG1/LL2014L	1476	1496	1208	678
P38P2S/P64E2S/GE/P64S2	1104C-44TAG1/LL3014B	1519	1539	1208	678
P100P2/P110E1/GE/P110-1	1104C-44TAG2/LL3014B	1347	1360	1208	678
P100P2/P110E2/GE/P110-2	1104C-44TAG2/LL3014B	1569	1589	1208	678
P72P2S/P80E2S/GE/P80S2	1104C-44TAG2/LL3014F	1679	1699	1208	678



REV	DESCRIPTION	DATE	BY
1	1E2122A DRAWING		
2	1E00131 CONFIDENTIALITY		
3	1E00131 INTPR & TOL		

CATERPILLAR
 THE INFORMATION CONTAINED IN THIS DRAWING IS THE PROPERTY OF CATERPILLAR. IT IS TO BE USED FOR THE MANUFACTURE OF THE EQUIPMENT SPECIFIED HEREIN AND IS NOT TO BE REPRODUCED OR TRANSMITTED IN ANY FORM OR BY ANY MEANS, ELECTRONIC OR MECHANICAL, INCLUDING PHOTOCOPYING, RECORDING, OR BY ANY INFORMATION STORAGE AND RETRIEVAL SYSTEM, WITHOUT THE WRITTEN PERMISSION OF CATERPILLAR.
 SA-NON-UL (FB2)
 MGA7250
 DATE: 01/01/01
 DRAWN: A
 CHECKED: E