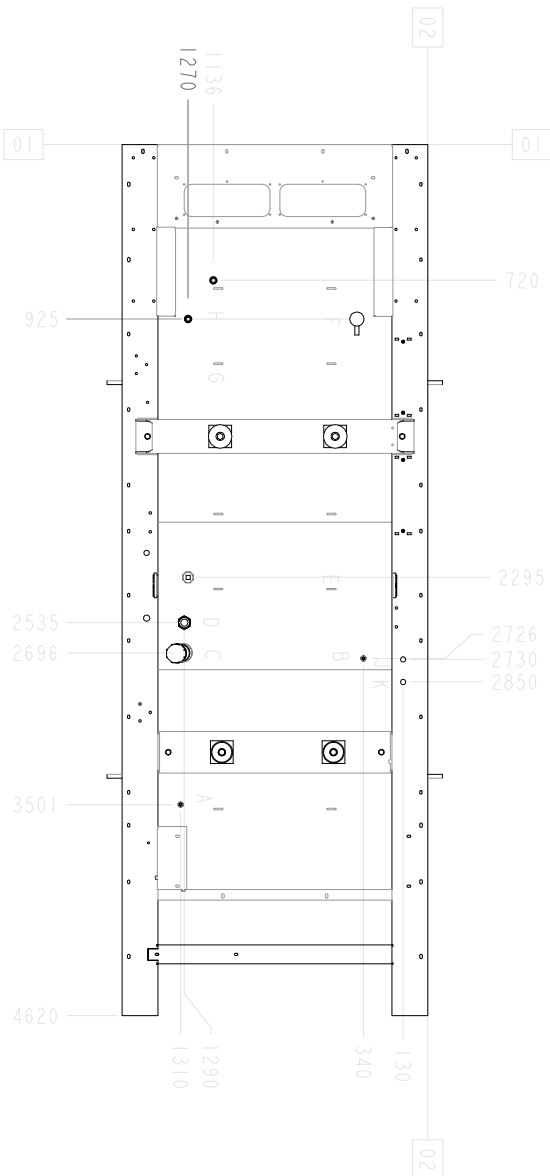


SCALE 1:20

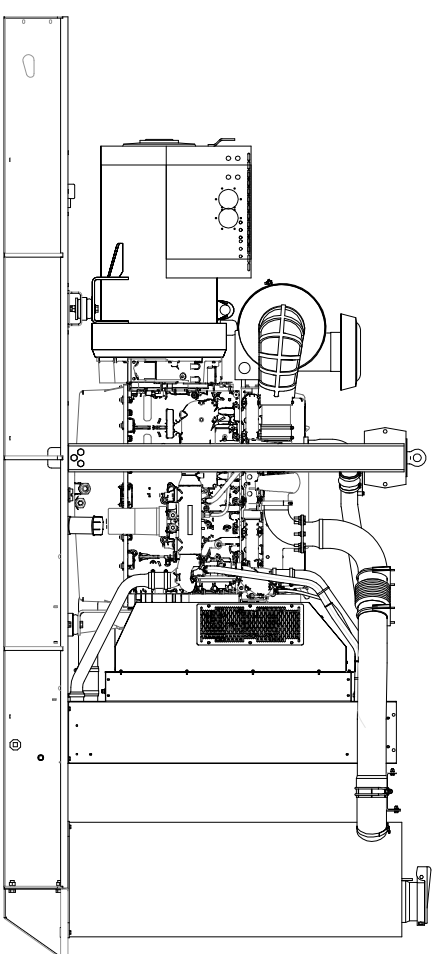


TANKBASE PLAN SHOWING SOCKET LAYOUT

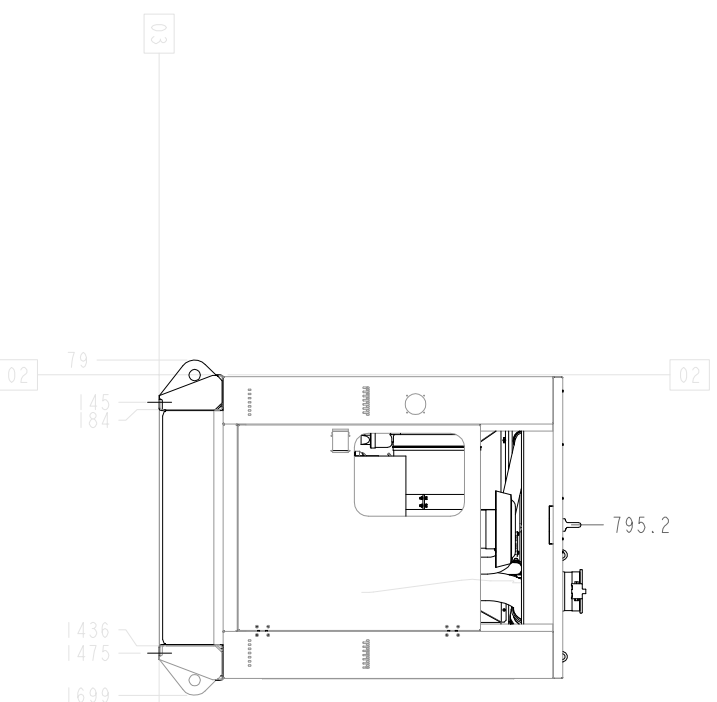
ENG/ALT OPTION	WITH OIL	WITH OIL & WATER	MASS (KG)
2506*/LL6114D	5425	5463	
2506*/LL6114F	5552	5590	
2506*/LL6114G	5574	5612	

BASE	TANK CAPACITY (LITRES)	
	TO FILL	TO USE
291-8097	1002	913.5

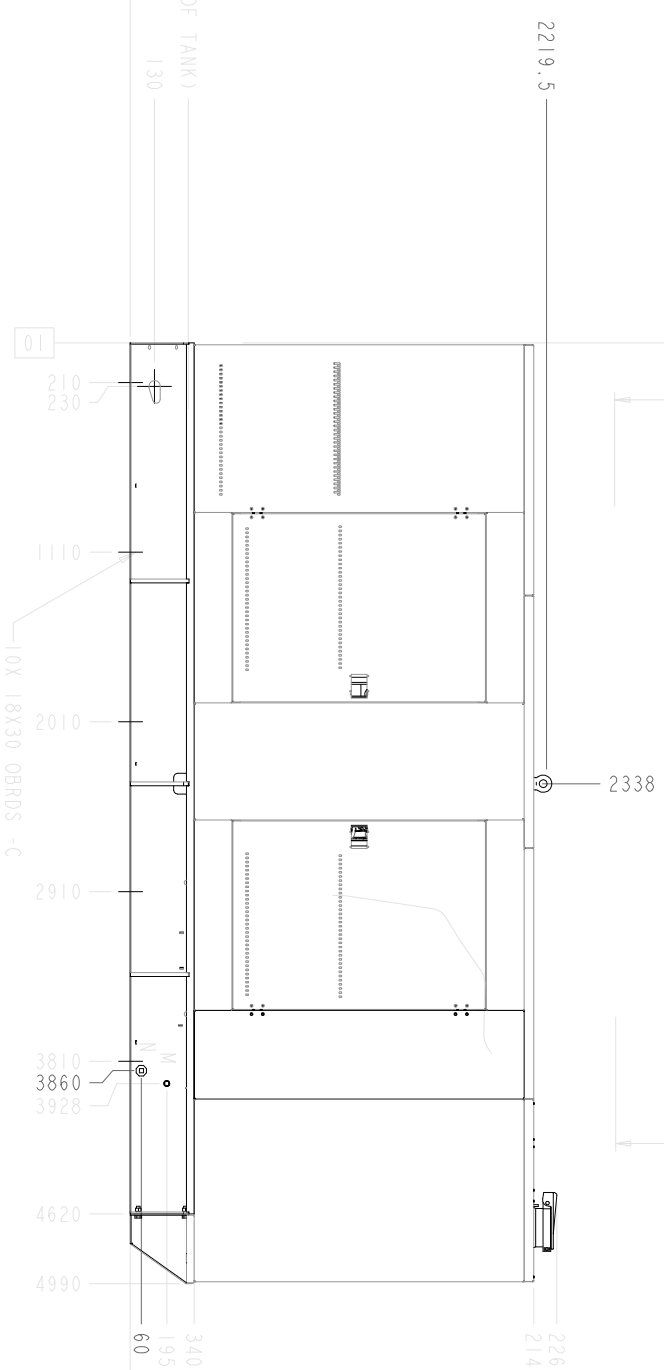
SOCKET	DESCRIPTION	DIM X	DIM Y	DIM Z
A	FUEL RETURN 1/2" BSP	3501	1310	184
B	FUEL FILL 1/2" BSP	2726	340	297
C	FUEL FILL 3" BSP	2696	1290	297
D	FUEL FILL GAUGE 1/2" BSP	2535	1290	300
E	REMOTE FUEL RETURN 1/2" BSP	2295	350	304
F	REMOTE FUEL SUPPLY 1" BSP	925	350	310
G	TANK VENT 1" BSP	1265	1270	310
H	LEVEL SWITCH 1" BSP	925	1270	310
J	REMOTE FUEL LOCATION RETURN	2730	130	340
K	REMOTE FUEL LOCATION FEED	2850	130	340
M	SPLLLAGE DRAIN 3/4" BSP	3928	1436	195
N	FUEL DRAIN 1/2" BSP	3860	1436	60
-	APPROX COG FOR GENSET (2506*/LL6114D)	2321	810	822
-	APPROX COG FOR GENSET (2506*/LL6114F)	2290	810	822
-	APPROX COG FOR GENSET (2506*/LL6114G)	2283	810	822



CANOPY REMOVAL



310 (TOP OF TANK)
130



A	FIRST ISSUE	ECR	BY	DATE
1				

2	3	4

5	6	7	8
<p>DO NOT SCALE</p> <p>ALL DIMENSIONS IN MILLIMETRES UNLESS OTHERWISE STATED</p>	<p>3-D ANGLE PROJECTION</p>	<p>DRN. BY S DOWNES</p> <p>DATE 29-May-06</p>	<p>TITLE GA OF PERKINS 2506 STD TANK SA CANOPY SET</p> <p>SHEET SIZE A1</p> <p>ORIGINAL SCALE 1:20</p> <p>DRAWING NO/ISSUE. MGA7032 A</p>