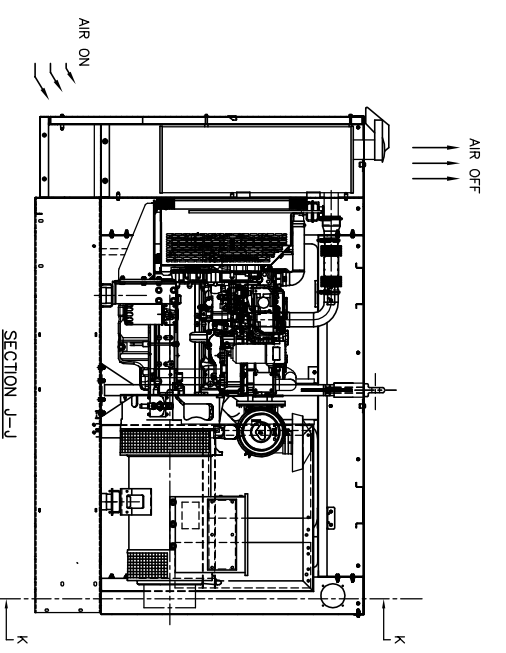
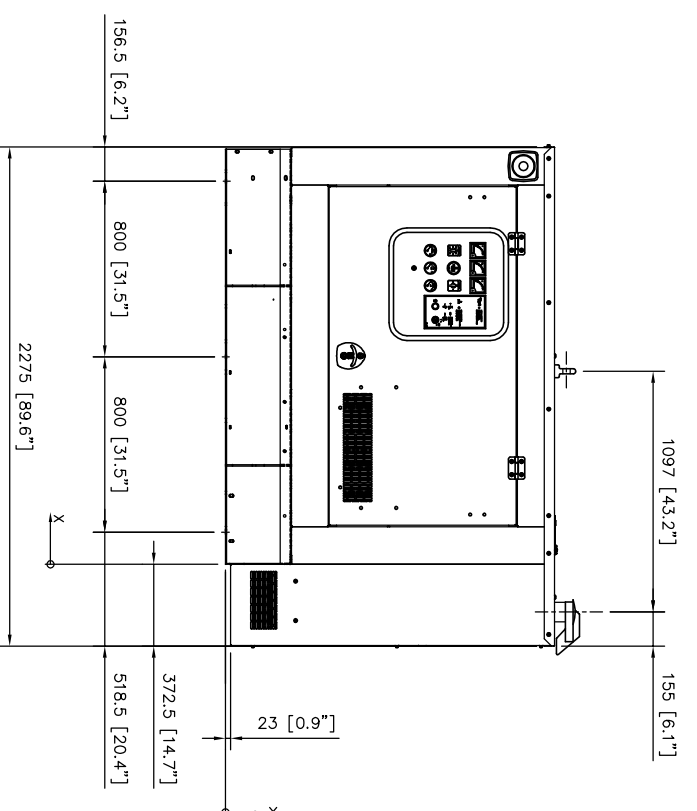
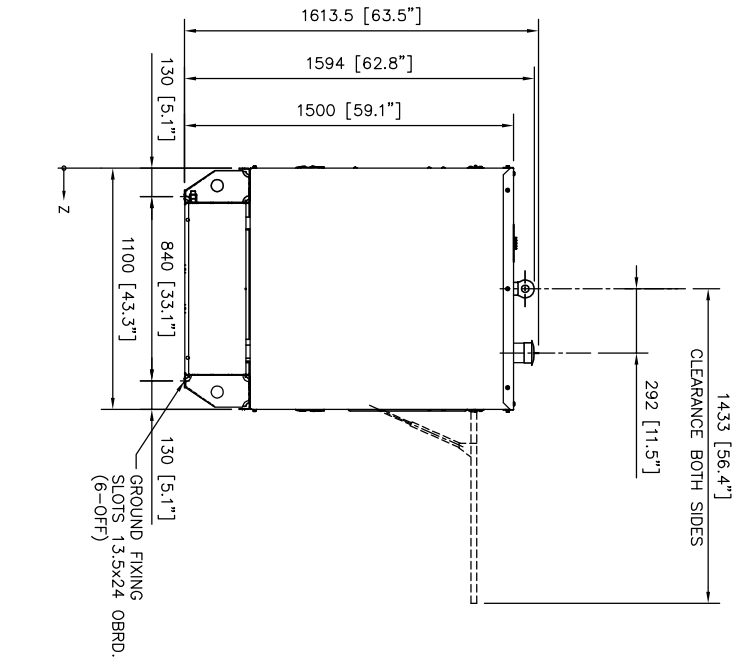
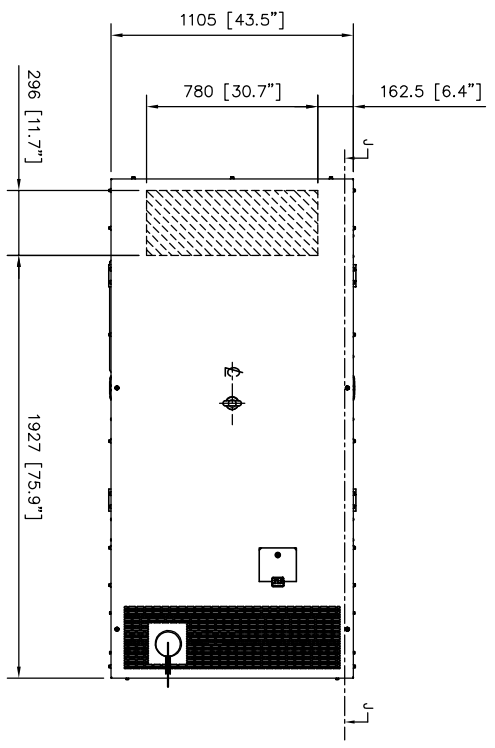
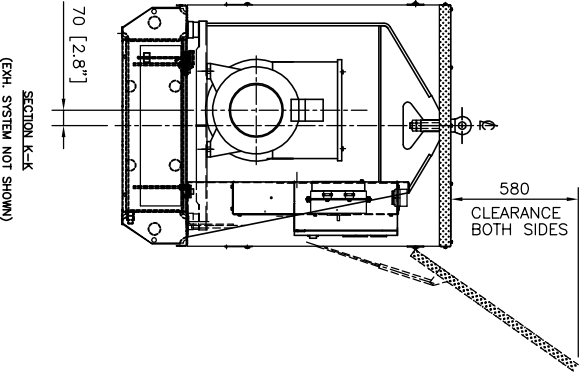
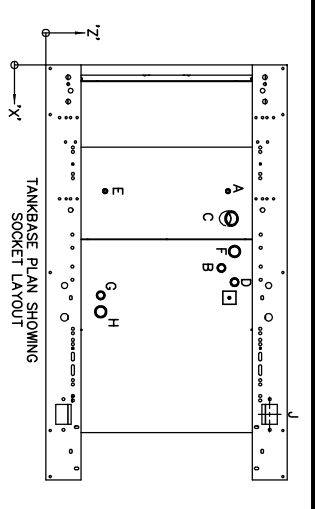


DESCRIPTION	DIM X	DIM Y	DIM Z
A FUEL SUPPLY - 3/8" BSP SOCKET	575 [22.6"]	280 [11.0"]	830 [32.7"]
B FUEL LEVEL SWITCH - 1" BSP HALF SOCKET	925 [36.4"]	280 [11.0"]	800 [31.5"]
C FUEL FILL - 2" BSP SOCKET	700 [27.6"]	280 [11.0"]	830 [32.7"]
D REMOTE FUEL SUPPLY - 1" BSP HALF SOCKET	990 [39.0"]	280 [11.0"]	860 [33.9"]
E FUEL RETURN - 3/8" BSP SOCKET	575 [22.6"]	280 [11.0"]	270 [10.6"]
F FUEL LEVEL GAUGE - 1 1/2" BSP HALF SOCKET	850 [33.5"]	280 [11.0"]	860 [33.9"]
G FUEL TANK VENT - 1" BSP HALF SOCKET	1050 [41.3"]	280 [11.0"]	250 [9.8"]
H REMOTE FUEL RETURN - 1 1/2" BSP HALF SOCKET	1125 [44.3"]	280 [11.0"]	250 [9.8"]
I FUEL TANK DRAIN - 3/4" BSP SOCKET (NOT SHOWN)	1525 [60.0"]	40 [1.5"]	156 [6.1"]
J CABLE ENTRY - 90 [3.5"] x 70 [2.8"]	1593 [62.7"]	300 [11.8"]	1020 [40.2"]



MODEL	GENSET	WEIGHT (kg)		CENTRE OF GRAVITY		
		(WITH OIL)	(WITH OIL & WATER)	DIM X	DIM Y	DIM Z
P40P3/P44E3/GEPA44-5	1103A-33TG1/LL2014B	1235	1245	731	714	521
P45P3/P50E3/GEPA50-5	1103A-33TG1/LL2014C	1235	1245	731	714	521
P32P3S/P35E3S/GEPA35SP5	1103A-33TG1/LL2014H	1305	1315	759	709	519
P50P1/P55E1/GEPA55-1	1103A-33TG2/LL2014D	1285	1285	738	713	520
P60P3/P65E3/GEPA65-5/ P40P1S/P44E1S/GEPA44SP1	1103A-33TG2/LL2014H	1305	1315	759	709	519
P45P3S/P50E3S/GEPA50SP5	1103A-33TG2/LL2014J	1345	1355	775	706	518
P80P1/P88E1/GEPA88-1	1104A-44TG2/LL2014L	1422	1435	822	717	516
P58P1S/P64E1S/GEPA64SP1	1104A-44TG1/LL3014B	1465	1478	834	714	515
P60P5/P65E5/GEPA65-7	1104A-44TG1/LL2014H	1360	1373	792	717	516
P45P5S/P50E5S/GEPA50SP-7	1104A-44TG1/LL2014J	1400	1413	809	714	516

ISSUE	DESCRIPTION	ECR/DCR	BY	DATE
1	OLD CANOPY REPLACED WITH NEW DESIGN	JMCC	JMCC	19/09/06
2	MODELS P45P5S/P65E5S/GEPA65-7 ADDED TO WEIGHTS TABLE	JMCC	JMCC	27/01/06
3	DATUMS 'X' & 'Z' ADDED TO SOC'L OUT DRW.1104A-44TG1/LL2014H ADDED	JMCC	JMCC	12/10/05
4	WEIGHTS AND CENTRE OF GRAVITY ADDED	JMCC	J.E.	18/05/05
5	FIRST ISSUE	JMCC	JMCC	12/01/04

TOLERANCES EXCEPT WHERE OTHERWISE STATED

0 - 500mm ± 1mm
500 - 2000mm ± 2mm
OVER 2000mm ± 3mm
STRUCTURAL ± 1mm
ANGULAR ± 1°

DO NOT SCALE

THIS DRAWING IS COPYRIGHTED AND MAY BE COPIED ONLY FOR THE PURPOSES OF MAINTAINING THE FABRICATED EQUIPMENT BY THE FABRICATOR

3rd ANGLE PROJECTION

DRN. BY	JMCCRACKEN	TITLE	G.A. OF 1104A-44TG1/TG2/1103A-TG1/TG2/LL2014B
DATE	12/01/04	APPD. BY	[Signature]
DATE	27/09/2006	DATE	27/09/2006
SHEET SIZE	A1	ORIGINAL SCALE	1:17.5
DRAWING NO.	MGA6538	ISSUE	E