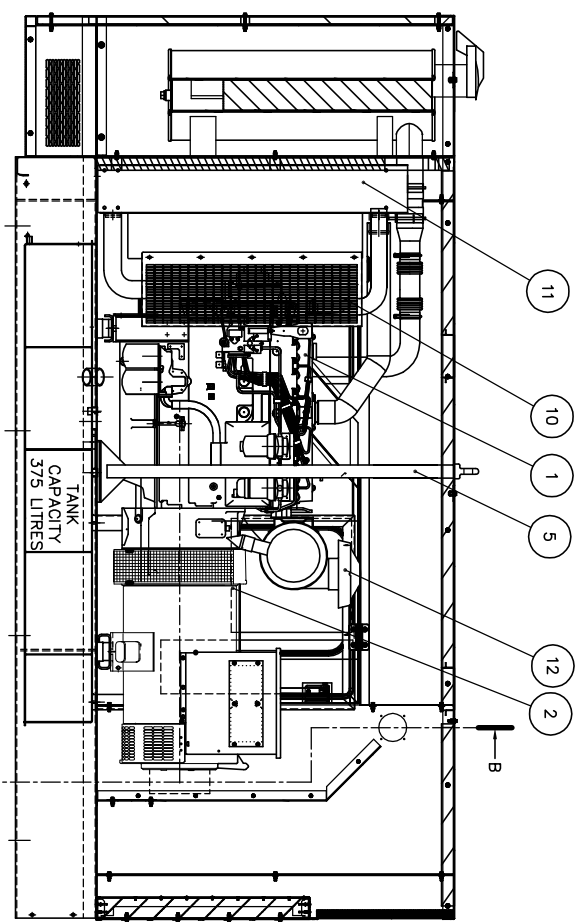
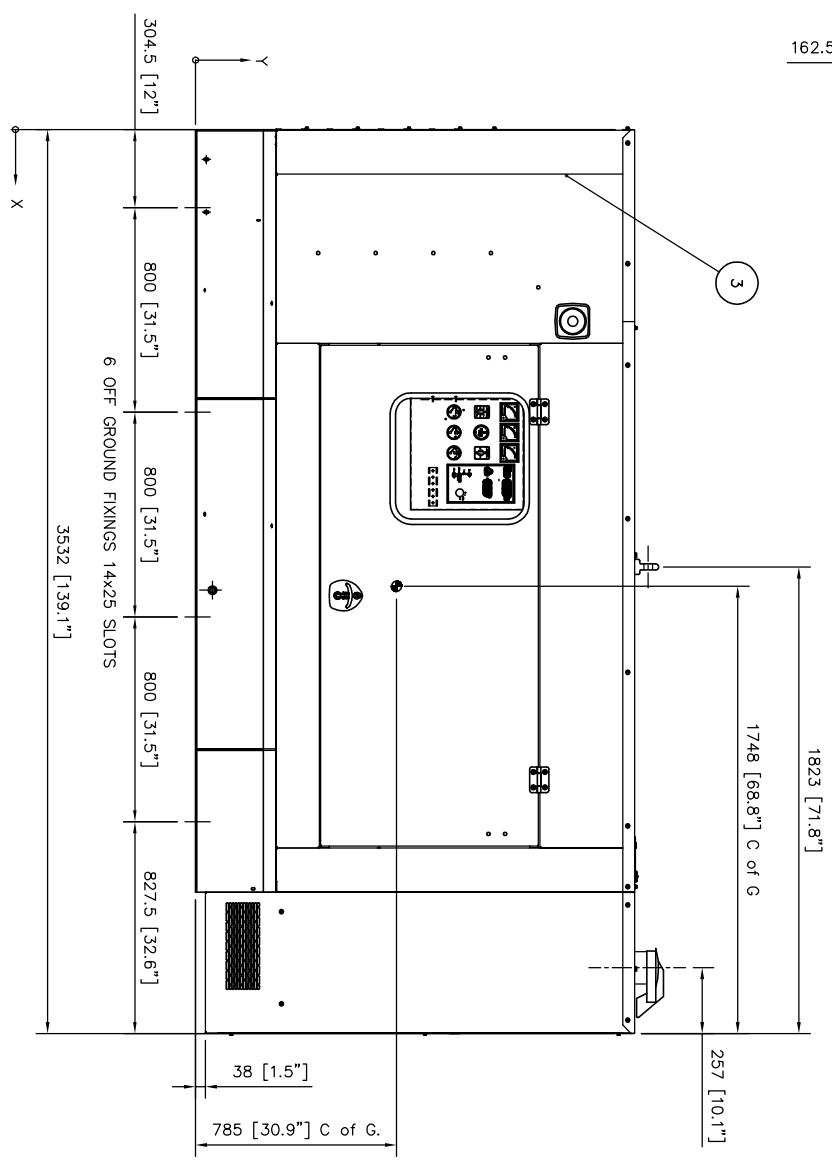
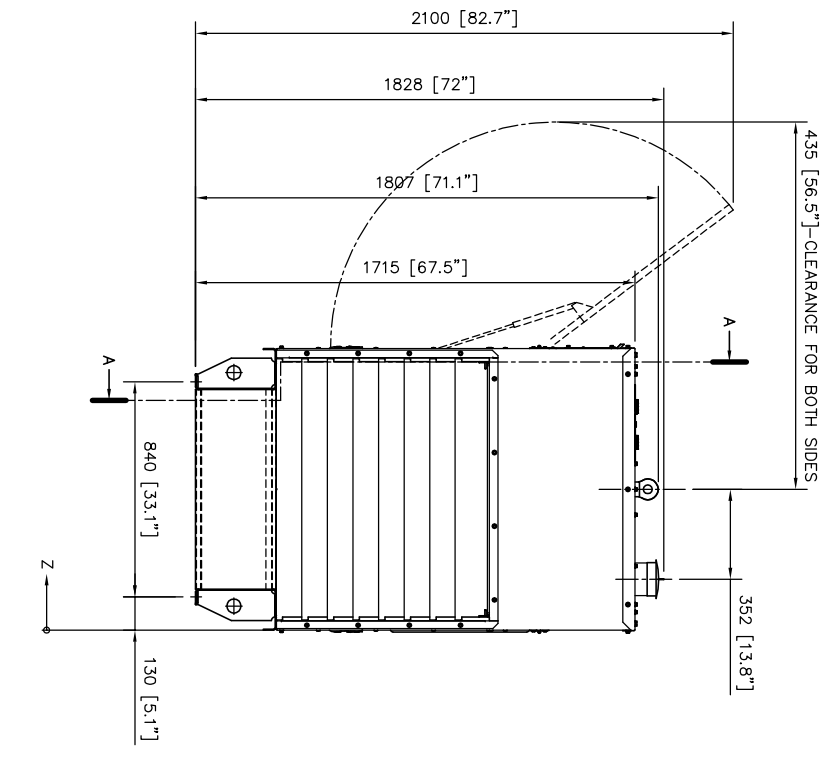
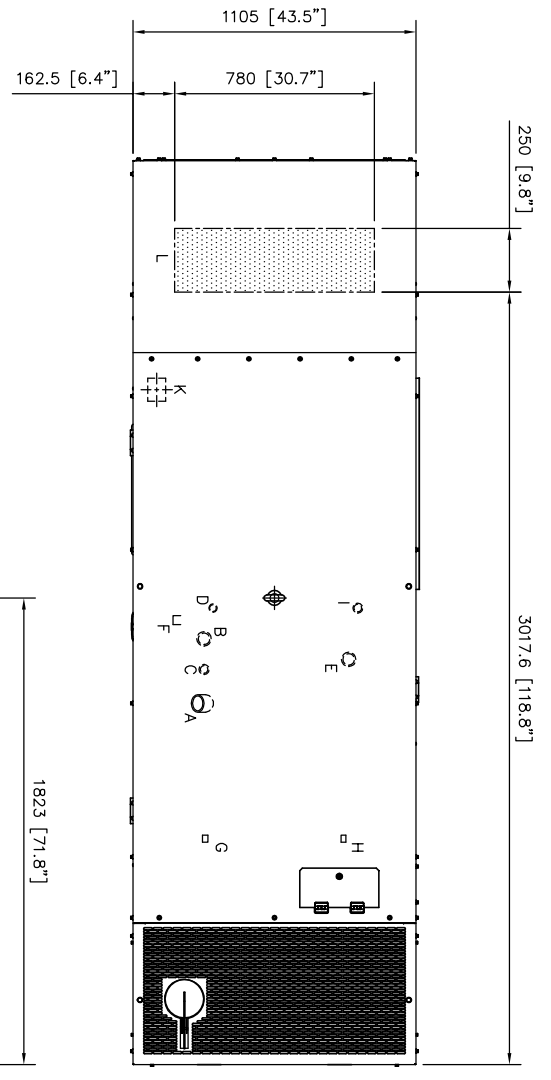
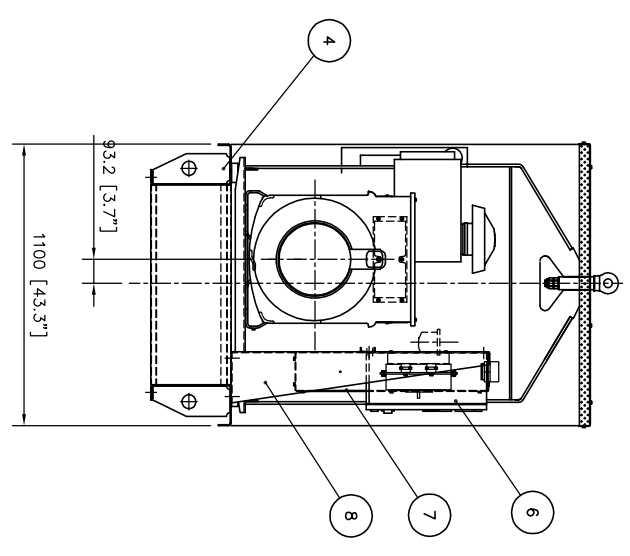


| ENGINE/ALTERNATOR | WEIGHT (kg) | |
|---------------------------|--------------------|------|
| (WITH OIL) | (WITH OIL & WATER) | |
| 1006TAG2/LL3014H | 1965 | 1975 |
| 1006TAG2/LL3024H | 1965 | 1975 |
| 1006 BRAZIL TAG1 /LL3014H | 1965 | 1975 |
| 1006 BRAZIL TAG1 /LL3024H | 1965 | 1975 |

| ITEM QTY. | DESCRIPTION | DIM. X | DIM. Y | DIM. Z |
|-----------|-----------------------------|--------|--------|--------|
| A 1 | 2" BSP SOCKET - FUEL FILL | 2115 | 285 | 285 |
| B 1 | 1 1/2" BSP FUEL LEVEL GAUGE | 1864 | 285 | 277 |
| C 1 | 1" BSP LEVEL SWITCH | 1984 | 285 | 277 |
| D 1 | 1" BSP REMOTE SUPPLY | 1744 | 285 | 312 |
| E 1 | 1 1/2" BSP REMOTE RETURN | 1944 | 285 | 842 |
| F 2 | 3/4" BSP TANK DRAIN | 1790 | 50 | 260 |
| G 1 | 3/8" BSP SOC ENG. SUPPLY | 2660 | 40 | 280 |
| H 1 | 1/4" BSP SOCKET ENG. RETURN | 2660 | 40 | 820 |
| I 1 | 1" BSP FUEL VENT | 1744 | 285 | 877 |
| K 1 | CABLE EXIT (150X140 REC) | 890 | 300 | 90 |
| L 1 | STUB-UP AREA (250 x 870) | 260 | 0 | 162 |



| ITEM QTY. | DESCRIPTION | DWG./PART NO. |
|----------------|-------------------------------|---------------|
| 10 | STANDARD PRODUCT | |
| 10 | ENGINE | MGS3873 |
| 20 | ALTERNATOR - LEROY LL3014H | MGS3873 |
| BRAZIL PRODUCT | | |
| 10 | ENGINE | 282-1588 |
| 20 | ALTERNATOR - LEROY LL3014H | 282-1588 |
| 3 | CANOPY - SOUND ATTENUATING | MGS5644 |
| 4 | TANKBASE | MGS5492 |
| 5 | SINGLE POINT LIFT ARRANGEMENT | SEE ITEM 3 |
| 6 | CONTROL PANEL (IF FITTED) | - |
| 7 | CIRCUIT BREAKER (IF FITTED) | - |
| 8 | PANEL STAND ASSY. (IF FITTED) | MGS2427 |
| 9 | BATTERY RACK | SEE ITEM 3 |
| 10 | SPLIT FAN GUARD ASSY | MGS5734 |
| 11 | RADIATOR ASSY | MGS5645 |
| 12 | AIR FILTER | MGS2772 |
| 13 | LUBE OIL DRAIN | MGS2796 |
| 14 | COOLANT DRAIN | MGS6023 |
| 15 | SENDERS AND SENSORS | MGS2429 |
| 16 | FUEL LINES | MGS2452 |
| 17 | COUPLING GROUP | MGS2871 |
| 18 | DECAL GROUP (HAZARD LABELS) | MGS2946 |
| 19 | DECALS GROUP (B&W BRAND) | MGS2947 |
| 20 | EM GROUP | MGS2414 |
| 21 | DECALS GROUP (OILY BRAND) | MGS2948 |

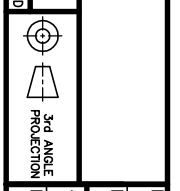
* NOT SHOWN

DIMENSIONS IN MM & [INCHES]

| ISSUE | DESCRIPTION | EPR/DOR | BY | DATE |
|-------|------------------------------------------------------|---------|--------|----------|
| A | FIRST ISSUE | 22387 | YC/TAN | 29/09/03 |
| B | COOLANT DRAIN ASSEMBLY CHANGED | 22387 | M.P.B. | 24/05/04 |
| C | ADDITION OF ENG/ALT COMBINATION FOR 1006TAG2/LL3024H | 22387 | M.P.B. | 24/05/04 |
| D | EXTEND THE HEIGHT OF GENSET FROM 1790 TO 1805 | 23872 | YC/TAN | 24/09/04 |
| E | 1006 BRAZIL TAG1 ENGINES ADDED. PARTS LIST UPDATED. | 25442 | P.C. | 06/03/06 |
| F | DIMENSIONS CORRECTED | 26204 | J.L. | 17/07/06 |
| G | OLD CANOPY REPLACED WITH NEW DESIGN | 26094 | JMCC | 21/09/06 |

| TOLERANCES EXCEPT WHERE OTHERWISE STATED |
|------------------------------------------|
| 0 - 500mm ± 1mm |
| 500 - 2000mm ± 2mm |
| OVER 2000mm ± 3mm |
| ANGULAR ± 1° |

THIS DRAWING IS COPYRIGHTED AND MAY BE COPIED ONLY FOR THE PURPOSES OF MAINTAINING THE FORWARDED EQUIPMENT BY THE FORWASER. DO NOT SCALE. ALL DIMENSIONS IN MILLIMETRES UNLESS OTHERWISE STATED.



| | |
|----------|--------------------|
| DRN. BY | YC/TAN |
| DATE | 29/09/03 |
| APPD. BY | <i>[Signature]</i> |
| DATE | 25/09/2006 |

| | |
|-------------|----------------------------------------------------------------------------------|
| TITLE | 1006TAG2/BRAZIL TAG1 & LL3014H ALT. C SERIES S.A. CANOPY WITH NON-UL LISTED TANK |
| SHEET | A1 |
| SCALE | 1:15 |
| DRAWING NO. | MGA6448 |
| ISSUE | G |