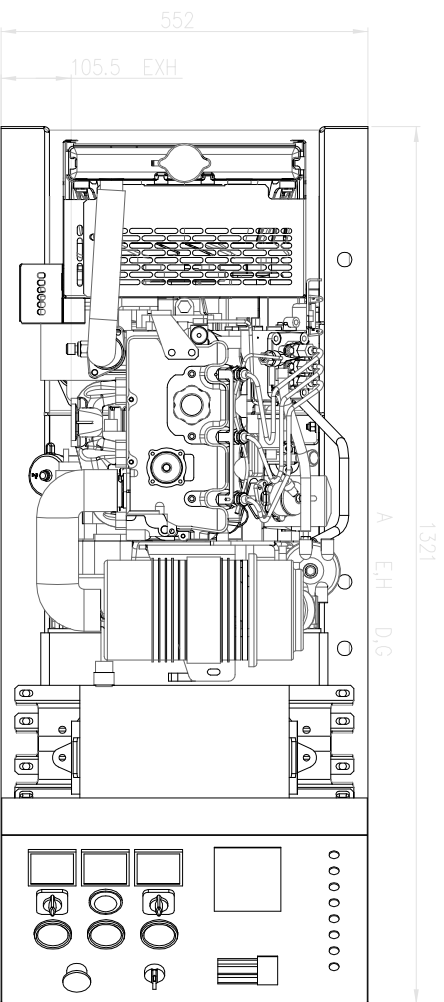
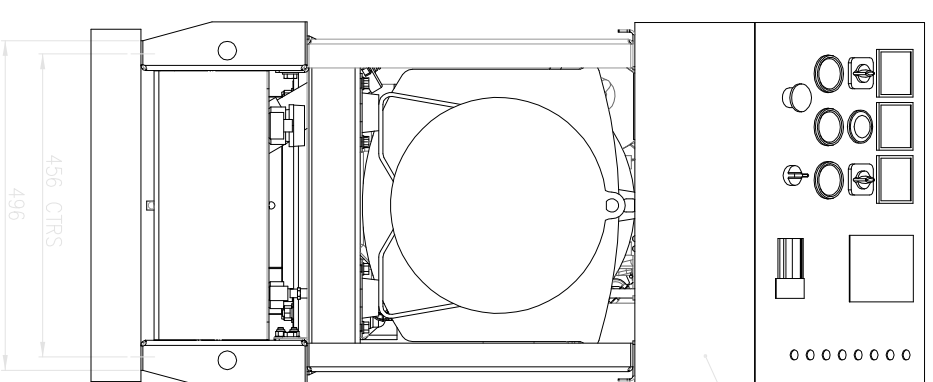
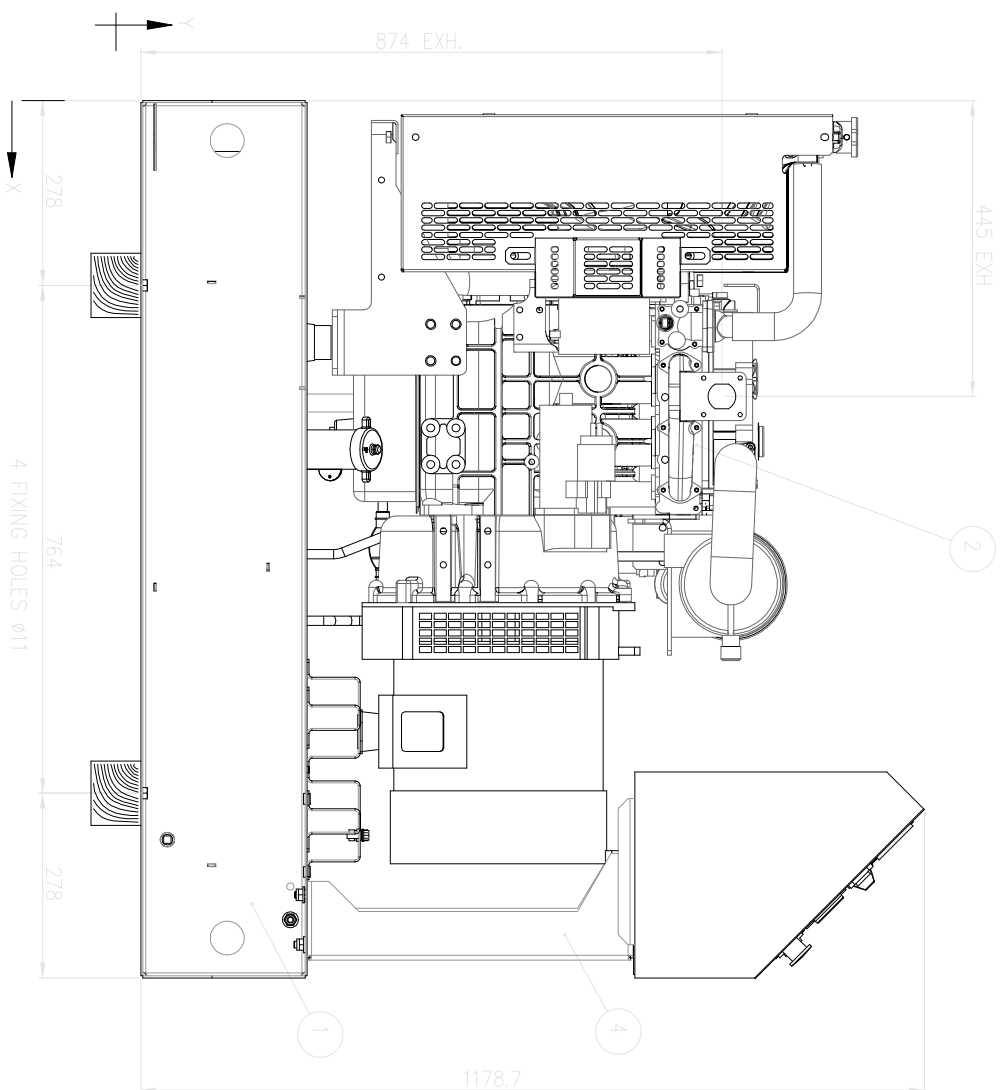
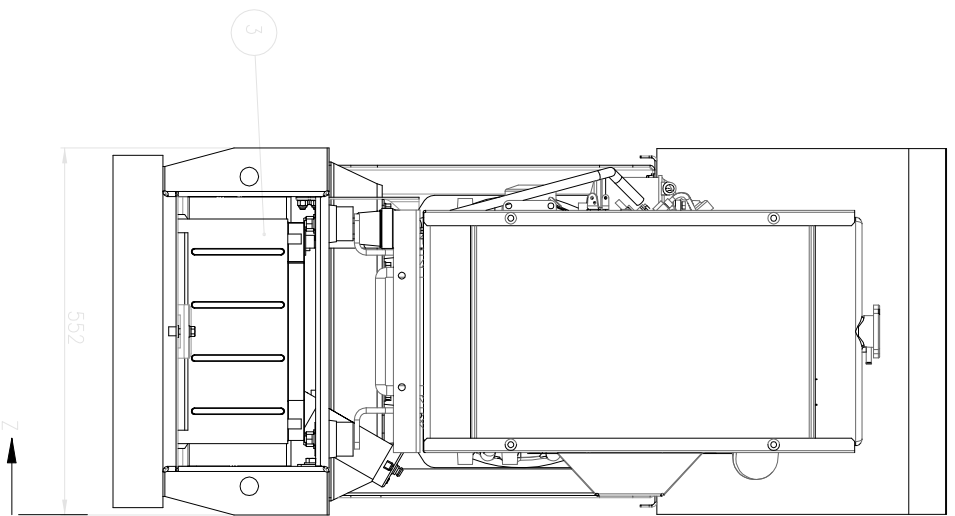


1	2	3	4	5	6	7	8
ENG / ALT	MASS (kg)	C of G		X	Y		
403D-15G / LL*1014H	(WITH OIL) 387	(WITH OIL & WASHBR)	640	618			
FUEL TANK CAPACITY - 45 LITRES							

ITEM	DESCRIPTION	DIM X	DIM Y	DIM Z
A	LUBE OIL DRAIN (IF FITTED)	590	250	517
B	FUEL FILL	525	380	70
C	FUEL GAUGE	640	242	156
D	FUEL SUPPLY	785	221	410
E	FUEL RETURN	685	221	410
F	LOW FUEL LEVEL SWITCH (IF FITTED)	760	215	156
G	EXTERNAL FUEL TANK CONNECTION - SUPPLY 1/4BSP	785	300	517
H	EXTERNAL FUEL TANK CONNECTION - RETURN 1/4BSP	685	300	517
J	CABLE EXIT	1280	740	130



ITEM	QTY	DESCRIPTION	DWG / PART NO.
1	1	BASEFRAME ASSEMBLY	MGSS111
2	1	ENG / ALT COMBINATION GROUP	MGSS269
3	1	BATTERY GROUP	MGSS122
4	1	PANEL STAND GP	MGSS120
5	1	FUEL LINE ARRANGEMENT	MGSS390
6	1	COUPLING GROUP	MGSS164
7	1	CONTROL PANEL (IF FITTED)	-
8	1	LVI - LUBE OIL DRAIN ASSY (IF FITTED)	MGSS296
9	1	CEC - GUARDS (IF FITTED)	MGSS441
10	1	DECAL ARRANGEMENT - UNIVERSAL LABELS	MGSS472
11a	1	DECAL ARRANGEMENT - B&W	MGSS474
11b	1	DECAL ARRANGEMENT - OLY LABELS	MGSS476



MODEL NAME CHANGED TO D	M.W.	DATE
D	28483	21/07/08
C	28282	04/01/08
B	21071	29/05/03
A	21071	-

TOLERANCES EXCEPT WHERE OTHERWISE STATED
 0 - 500mm ± 1mm
 500 - 2000mm ± 2mm
 OVER 2000mm ± 3mm
 STRUCTURAL SIZE ± 3mm
 ANGULAR ± 1°
 DO NOT SCALE

THIS DRAWING IS COPYRIGHTED AND MAY BE COPIED ONLY FOR THE PURPOSES OF MAINTAINING THE PURCHASED EQUIPMENT BY THE PURCHASER. ALL DIMENSIONS IN MILLIMETRES UNLESS OTHERWISE STATED.

DRN. BY	G.KELLY	TITLE	PERKINS 403D-15G & LS 1000 SERIES
DATE	28-Feb-03	COMPACT GENSET	
SHEET SIZE	A1	ORIGINAL SCALE	7:40
DRAWING NO./ISSUE	MG6289	D	