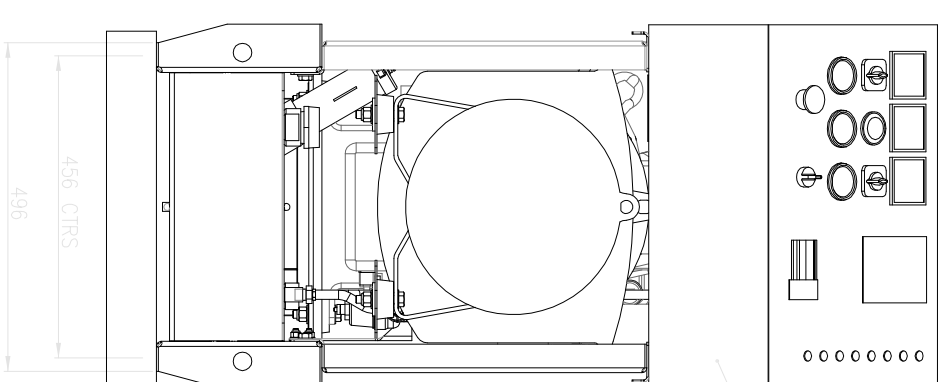
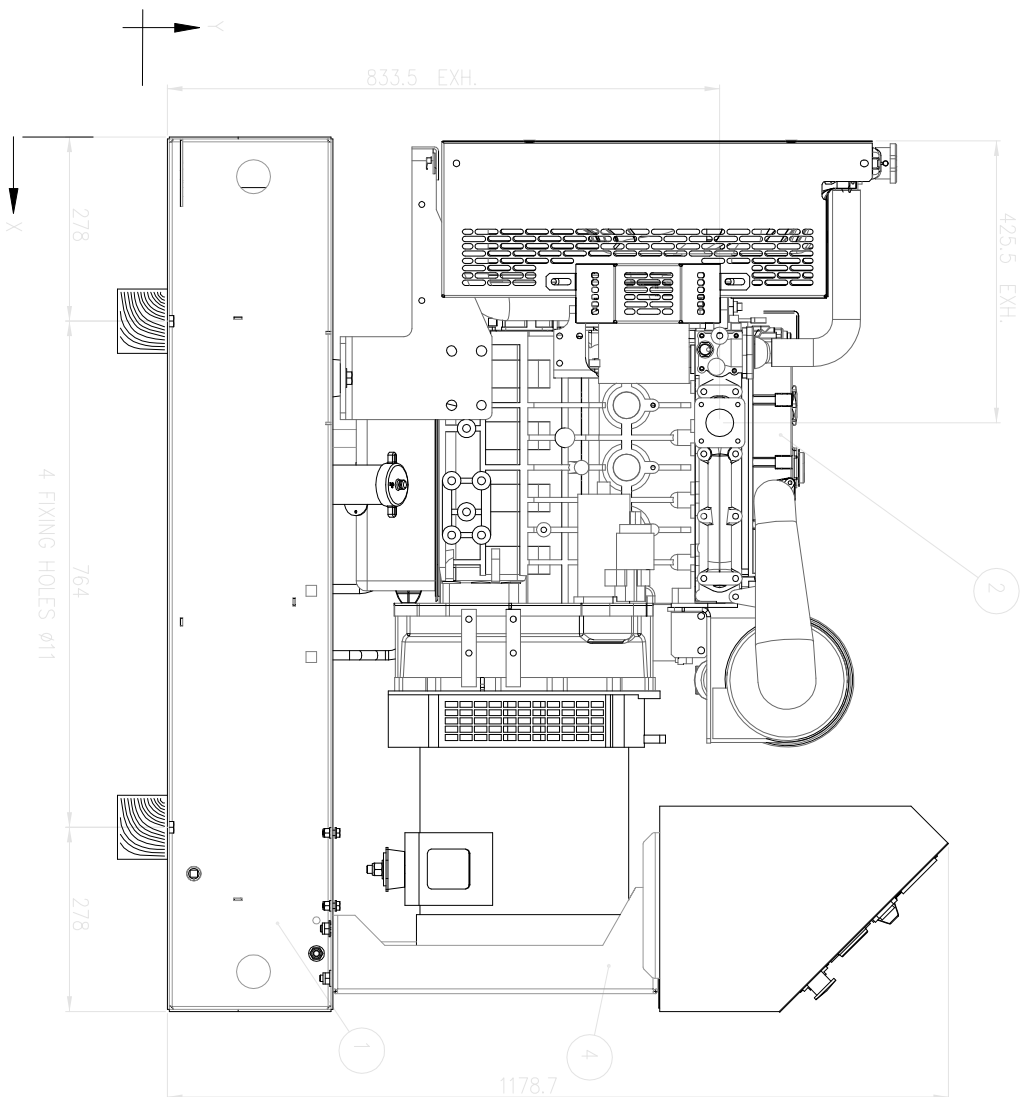
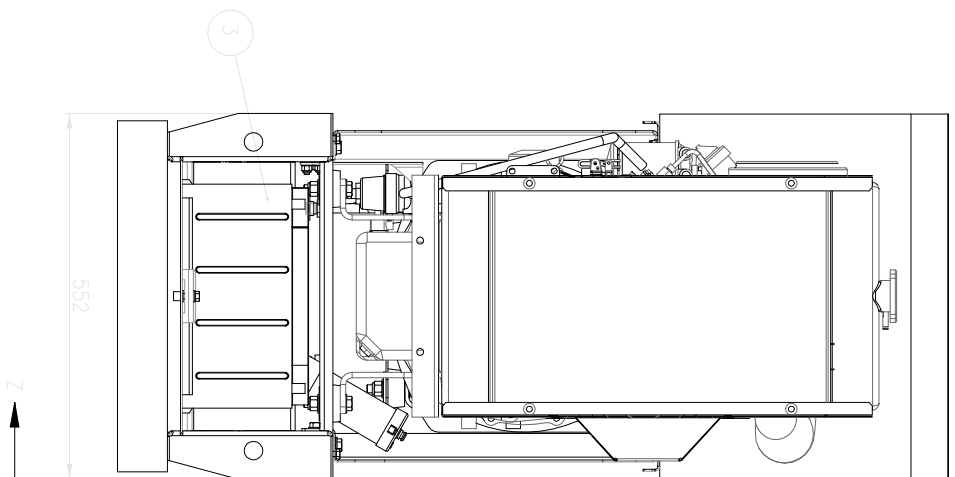
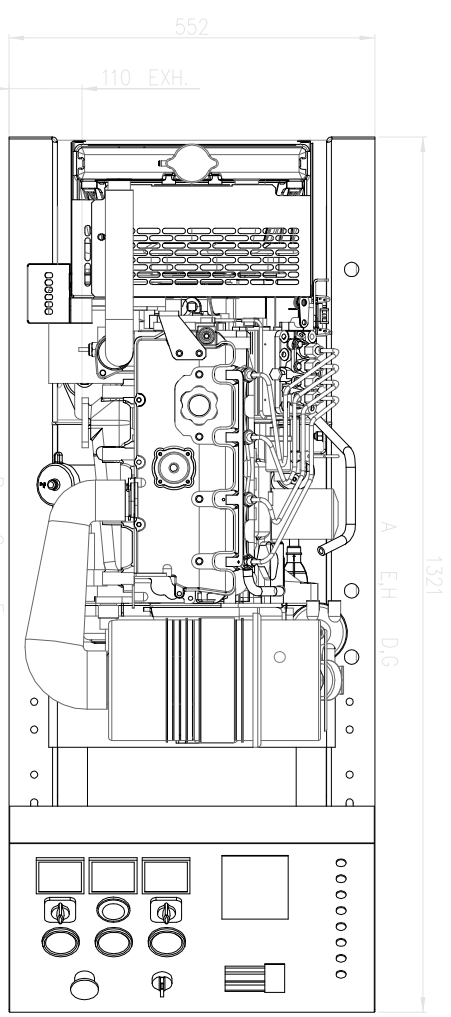


ENG / ALT	MASS (kg)	WITH OIL & WATER	C OF G
			DIM X DIM Y DIM Z
404D-22G1 / LL*1014L	447	467	671 618
404D-22G / LL*1014N	460	467	686 618

FUEL TANK CAPACITY - 45 LITRES

ITEM	DESCRIPTION	DIM X	DIM Y	DIM Z
A	LUBE OIL DRAIN (IF FITTED)	590	250	517
B	FUEL FILL	525	340	70
C	FUEL GAUGE	640	282	156
D	FUEL SUPPLY	785	221	410
E	FUEL RETURN	685	221	410
F	LOW FUEL LEVEL SWITCH (IF FITTED)	760	215	156
G	EXTERNAL FUEL TANK CONNECTION - SUPPLY 1/4BSP (IF FITTED)	785	300	517
H	EXTERNAL FUEL TANK CONNECTION - RETURN 1/4BSP (IF FITTED)	685	300	517
J	CABLE EXIT	1280	740	130



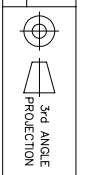
ITEM	QTY	DESCRIPTION	DWG / PART NO.
1	1	BASEFRAME ASSEMBLY	MGS5111
2	1	ENG/ALT COMBINATION GROUP	MGS5269
3	1	BATTERY GROUP	MGS5122
4	1	PANEL STAND GP	MGS5120
5	1	FUEL LINE ARRANGEMENT	MGS5390
6	1	COUPLING GROUP	MGS5164
7	1	CONTROL PANEL (IF FITTED)	-
8	1	LUBE OIL DRAIN ASSY (IF FITTED)	MGS5296
9	1	GEC - GUARDS (IF FITTED)	MGS5441
10	1	DECAL ARRANGEMENT - UNIVERSAL LABELS	MGS5472
11a	1	DECAL ARRANGEMENT - B&W	MGS5474
11b	1	DECAL ARRANGEMENT - OLY LABELS	MGS5476

* ITEM NOT SHOWN

ISSUE	DESCRIPTION	1	2	3	4	5	6	7	8
D	ENGINE AND ALT MODELS CHANGED TO 404D-22G K&L HIGH SPEED REMOVED	28483	M/W	21/07/08					
C	FORK POCKETS REMOVED & WEIGHTS AND HEIGHTS ALTERED	22875	D/N	04/01/05					
B	MASS DATA ADDED FOR 404C-22G2/LL*1014L	21071	G/K	16/09/03					
A	FIRST ISSUE	21071	-	-					

TOLERANCES EXCEPT WHERE OTHERWISE STATED
 0 - 500mm ± 1mm
 500 - 2000mm ± 2mm
 OVER 2000mm ± 3mm
 STRUCTURAL ± 1mm
 ANGULAR ± 1°
 DO NOT SCALE

THIS DRAWING IS COPYRIGHTED AND MAY BE COPIED ONLY FOR THE PURPOSES OF MAINTAINING THE PURCHASED EQUIPMENT BY THE PURCHASER
 ALL DIMENSIONS IN MILLIMETRES UNLESS OTHERWISE STATED



DRN. BY	DATE	TITLE	SHEET SIZE	ORIGINAL SCALE	DRAWING NO./ISSUE
G.KELLY	23-Jan-03	PERKINS 404D-22 & LS 1000 SERIES COMPACT GENSET	A1	7:40	MCA6060 D